



# PACKAGE GAS ELECTRIC UNITS

FORM NO. RTZ-838 REV. 2  
Supersedes Form No. RTZ-838 Rev. 1

## TZGE-3\*\*JA SUPER HIGH EFFICIENCY 13-SEER SERIES NOMINAL SIZES 2-5 TONS [7.0-17.6 kW]



Manufactured for  
**Thermal Zone®**  
Philadelphia, PA

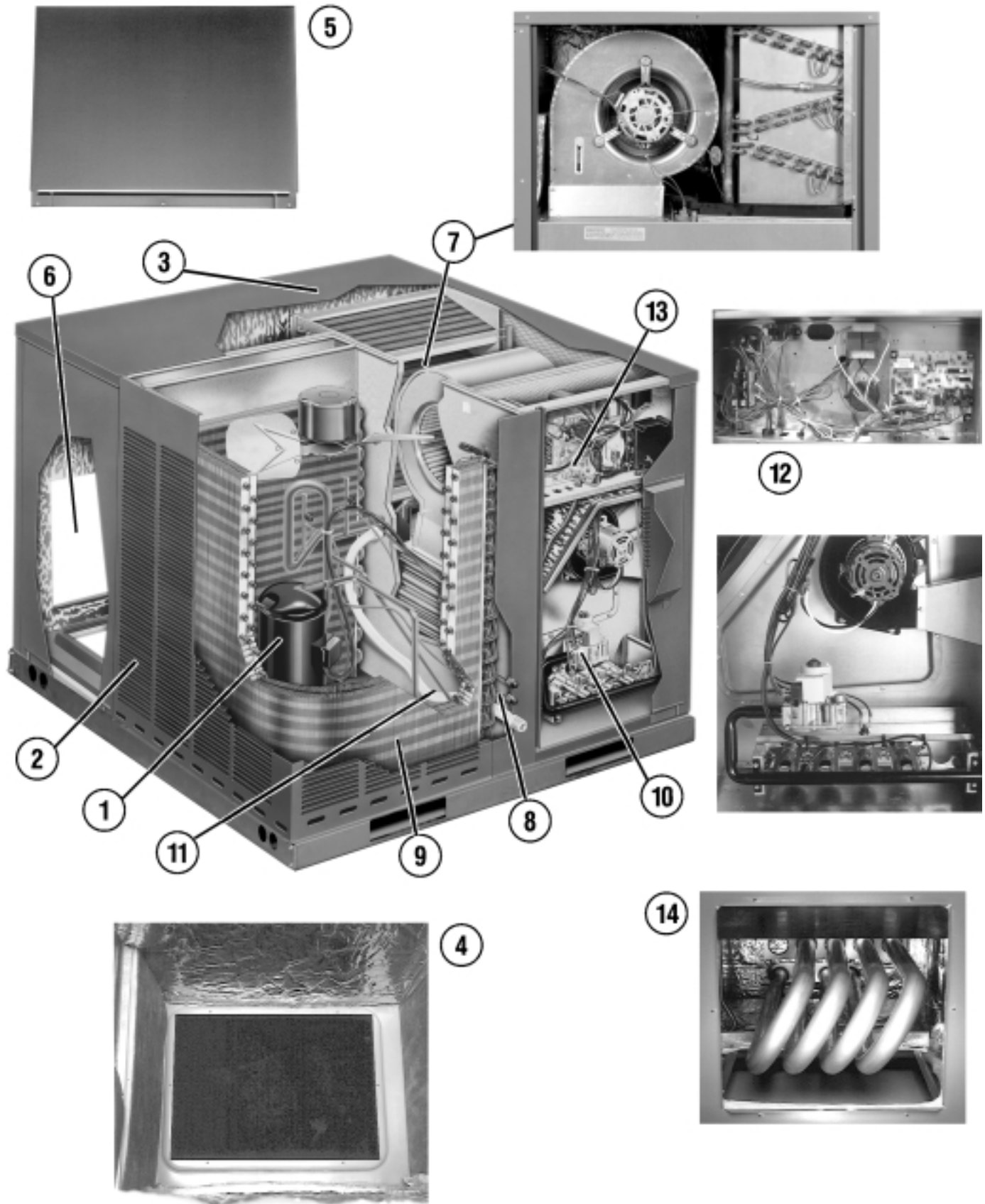


# TABLE OF CONTENTS



Unit Features & Benefits .....	3-4
Model Identification Options .....	5
General Data	
TZGE- Series .....	6-10
General Data Notes .....	11
Performance Data	
TZGE- Series .....	12-14
Airflow Performance	
TZGE- Series .....	15-17
Electrical Data	
TZGE- Series .....	18
Dimensional Data .....	19-20
Typical Installations .....	21
Accessories .....	22-30
Typical Wiring .....	31-35
Limited Warranty .....	36

*These quality features are included in the Thermal Zone® Gas Heat/Electric Cooling Package Unit*



## UNIT FEATURES & BENEFITS—TZGE- SERIES



### Features Below Correspond to Photos on Page 3

1. All models feature Scroll® compressors for maximum efficiency and quiet operation.
2. Louvered condenser compartment for protecting the coil against yard hazards and/or weather extremes.
3. One-piece top with a deep flange to help keep water out of the unit.
4. Supply and return air openings feature a one-inch tall flange to prevent water migration into the ductwork.
5. Access panels have “weep holes” and channels to further help manage water run-off.
6. Side and down discharge options available on all models.
7. Easily accessible blower section complete with slide-out blower. All units feature a system matched coil with low static pressure drop and excellent cooling capacities.
8. Refrigerant connections are conveniently located for easy service diagnostics.
9. Condenser and evaporator coils feature enhanced fins for better heat transfer and rifled copper tubing for greater efficiency.
10. Inside the easily accessible furnace compartment is the draft inducer motor. This motor is specially designed for quiet reliable operation. In addition to the draft inducer motor, the in-shot gas burners and manifold efficiently regulate the flow of gas for combustion. These new gas/electric units also feature direct-spark ignition and remote flame sensors for added reliability and efficiency.
11. All units feature an internal trap on the condensate line eliminating the need for installing an on-site external trap.
12. Easily accessible control box.
13. Single point wiring makes installation even easier.
14. Our gas/electric package units feature a tubular heat exchanger design. Tubular heat exchangers are more efficient and durable than older-style clamshell heat exchangers. The heat exchanger is backed by a 10 year limited warranty.

# MODEL IDENTIFICATION—TZGE- SERIES



<u>TZ</u>	<u>GE</u> — <u>3</u>	<u>24</u>	<u>J</u>	<u>A</u>	<u>040</u>	<u>A</u>	
THERMAL ZONE®	GAS/ELECTRIC	13 SEER	COOLING CAPACITY	ELECTRICAL DESIGNATION	A = R-22 REFRIGERANT	HEATING CAPACITY (MBH)	CABINET
			24 = 24,000 [7.03 kW] 30 = 30,000 [8.79 kW] 36 = 36,000 [10.55 kW] 42 = 42,000 [12.31 kW] 48 = 48,000 [14.07 kW] 60 = 60,000 [17.58 kW]	J = 208-230V —1PH—60Hz C = 208-230V —3PH—60Hz D = 460V —3PH—60Hz		040 = 40,000 [11.7] 060 = 60,000 [17.6] 080 = 80,000 [23.4] 100 = 100,000 [29.3]	A = STANDARD (SIDEFLOW) AS = STAINLESS STEEL HEAT EXCHANGER/SIDEFLOW AX = LOW NO <sub>x</sub>

# GENERAL DATA—TZGE- SERIES

## NOMINAL SIZES 2-5 TONS [7.0-17.6 kW]

Model TZGE- Series	324JA040	324JA060	324JA080	330JA060
<b>Cooling Performance<sup>1</sup></b>				<b>CONTINUED</b> →
Gross Cooling Capacity Btu [kW]	24,800 [7.27]	24,800 [7.27]	24,800 [7.27]	31,200 [9.14]
EER/SEER <sup>2</sup>	11.8/13	11.8/13	11.8/13	11.1/13
Nominal CFM/ARI Rated CFM [L/s]	800/800 [378/378]	800/800 [378/378]	800/800 [378/378]	1000/1000 [472/472]
ARI Net Cooling Capacity Btu [kW]	24,000 [7.03]	24,000 [7.03]	24,000 [7.03]	30,000 [8.79]
Net Sensible Capacity Btu [kW]	17,170 [5.03]	17,170 [5.03]	17,170 [5.03]	20,980 [6.15]
Net Latent Capacity Btu [kW]	6,830 [2]	6,830 [2]	6,830 [2]	9,020 [2.64]
Net System Power kW	2.04	2.04	2.04	2.7
<b>Heating Performance (Gas)<sup>3</sup></b>				
Heating Input Btu [kW]	40,000 [11.72]	60,000 [17.58]	80,000 [23.44]	60,000 [17.58]
Heating Output Btu [kW]	31,000 [9.08]	47,000 [13.77]	62,000 [18.17]	47,000 [13.77]
Temperature Rise Range °F [°C]	30-60 [16.7/33.3]	40-70 [22.2/38.9]	55-85 [30.6/47.2]	30-60 [16.7/33.3]
AFUE (%) <sup>4</sup>	80	80	80	80
Steady State Efficiency (%)	81	81	81	81
No. Burners	2	3	4	3
No. Stages	1	1	1	1
Gas Connection Pipe Size in. [mm]	0.5 [12.7]	0.5 [12.7]	0.5 [12.7]	0.5 [12.7]
<b>Compressor</b>				
No./Type	1/Scroll	1/Scroll	1/Scroll	1/Scroll
<b>Outdoor Sound Rating (dB)<sup>5</sup></b>	76	76	76	76
<b>Outdoor Coil—Fin Type</b>	Louvered	Louvered	Louvered	Louvered
Tube Type	Rifled	Rifled	Rifled	Rifled
Tube Size in. [mm] OD	0.375 [9.5]	0.375 [9.5]	0.375 [9.5]	0.375 [9.5]
Face Area sq. ft. [sq. m]	10.56 [0.98]	10.56 [0.98]	10.56 [0.98]	10.56 [0.98]
Rows / FPI [FPcm]	1 / 18 [7]	1 / 18 [7]	1 / 18 [7]	1 / 18 [7]
<b>Indoor Coil—Fin Type</b>	Louvered	Louvered	Louvered	Louvered
Tube Type	Rifled	Rifled	Rifled	Rifled
Tube Size in. [mm]	0.375 [9.5]	0.375 [9.5]	0.375 [9.5]	0.375 [9.5]
Face Area sq. ft. [sq. m]	5.54 [0.51]	5.54 [0.51]	5.54 [0.51]	5.54 [0.51]
Rows / FPI [FPcm]	2 / 15 [6]	2 / 15 [6]	2 / 15 [6]	2 / 15 [6]
Refrigerant Control	TX Valves	TX Valves	TX Valves	TX Valves
Drain Connection No./Size in. [mm]	1/0.75 [19.05]	1/0.75 [19.05]	1/0.75 [19.05]	1/0.75 [19.05]
<b>Outdoor Fan—Type</b>	Propeller	Propeller	Propeller	Propeller
No. Used/Diameter in. [mm]	1/22 [558.8]	1/22 [558.8]	1/22 [558.8]	1/22 [558.8]
Drive Type/No. Speeds	Direct/1	Direct/1	Direct/1	Direct/1
CFM [L/s]	2500 [1180]	2500 [1180]	2500 [1180]	2500 [1180]
No. Motors/HP	1 at 1/3 HP	1 at 1/3 HP	1 at 1/3 HP	1 at 1/3 HP
Motor RPM	1075	1075	1075	1075
<b>Indoor Fan—Type</b>	FC Centrifugal	FC Centrifugal	FC Centrifugal	FC Centrifugal
No. Used/Diameter in. [mm]	1/9x7 [229x178]	1/9x7 [229x178]	1/9x7 [229x178]	1/10x9 [254x229]
Drive Type/No. Speeds	Direct/2	Direct/2	Direct/2	Direct/3
No. Motors	1	1	1	1
Motor HP	1/4	1/4	1/4	1/2
Motor RPM	1075	1075	1075	1075
Motor Frame Size	48	48	48	48
<b>Filter—Type</b>	Field Supplied	Field Supplied	Field Supplied	Field Supplied
Furnished	No	No	No	No
(No.) Size Recommended in. [mm]	(1)1x20x20 [25x508x508]	(1)1x20x20 [25x508x508]	(1)1x20x20 [25x508x508]	(1)1x24x24 [25x610x610]
<b>Refrigerant Charge Oz. [g]</b>	69.6 [1973]	69.6 [1973]	69.6 [1973]	72 [2041]
<b>Weights</b>				
Net Weight lbs. [kg]	381 [173]	385 [175]	390 [177]	404 [183]
Ship Weight lbs. [kg]	421 [191]	425 [193]	430 [195]	444 [201]

See Page 11 for Notes.

[ ] Designates Metric Conversions

## NOMINAL SIZES 2-5 TONS [7.0-17.6 kW]

Model TZGE- Series	330JA080	330JA100	336CA080	336CA100
<b>Cooling Performance<sup>1</sup></b>				<b>CONTINUED</b> →
Gross Cooling Capacity Btu [kW]	31,200 [9.14]	31,200 [9.14]	37,400 [10.96]	37,400 [10.96]
EER/SEER <sup>2</sup>	11.1/13	11.1/13	11.7/13	11.7/13
Nominal CFM/ARI Rated CFM [L/s]	1000/1000 [472/472]	1000/1000 [472/472]	1200/1200 [566/566]	1200/1200 [566/566]
ARI Net Cooling Capacity Btu [kW]	30,000 [8.79]	30,000 [8.79]	36,000 [10.55]	36,000 [10.55]
Net Sensible Capacity Btu [kW]	20,980 [6.15]	20,980 [6.15]	25,740 [7.54]	25,740 [7.54]
Net Latent Capacity Btu [kW]	9,020 [2.64]	9,020 [2.64]	10,260 [3.01]	10,260 [3.01]
Net System Power kW	2.7	2.7	3.07	3.07
<b>Heating Performance (Gas)<sup>3</sup></b>				
Heating Input Btu [kW]	80,000 [23.44]	100,000 [29.3]	80,000 [23.44]	100,000 [29.3]
Heating Output Btu [kW]	62,000 [18.17]	77,000 [22.56]	64,800 [18.99]	81,000 [23.73]
Temperature Rise Range °F [°C]	40-70 [22.2/38.9]	45-85 [25/47.2]	40-70 [22.2/38.9]	45-85 [25/47.2]
AFUE (%) <sup>4</sup>	80	80	80	80
Steady State Efficiency (%)	81	81	81	81
No. Burners	4	5	4	5
No. Stages	1	1	1	1
Gas Connection Pipe Size in. [mm]	0.5 [12.7]	0.5 [12.7]	0.5 [12.7]	0.5 [12.7]
<b>Compressor</b>				
No./Type	1/Scroll	1/Scroll	1/Scroll	1/Scroll
<b>Outdoor Sound Rating (dB)<sup>5</sup></b>	76	76	76	76
<b>Outdoor Coil—Fin Type</b>	Louvered	Louvered	Louvered	Louvered
Tube Type	Rifled	Rifled	Rifled	Rifled
Tube Size in. [mm] OD	0.375 [9.5]	0.375 [9.5]	0.375 [9.5]	0.375 [9.5]
Face Area sq. ft. [sq. m]	10.56 [0.98]	10.56 [0.98]	14.8 [1.37]	14.8 [1.37]
Rows / FPI [FPcm]	1 / 18 [7]	1 / 18 [7]	1 / 22 [9]	1 / 22 [9]
<b>Indoor Coil—Fin Type</b>	Louvered	Louvered	Louvered	Louvered
Tube Type	Rifled	Rifled	Rifled	Rifled
Tube Size in. [mm]	0.375 [9.5]	0.375 [9.5]	0.375 [9.5]	0.375 [9.5]
Face Area sq. ft. [sq. m]	5.54 [0.51]	5.54 [0.51]	5.54 [0.51]	5.54 [0.51]
Rows / FPI [FPcm]	2 / 15 [6]	2 / 15 [6]	2 / 15 [6]	2 / 15 [6]
Refrigerant Control	TX Valves	TX Valves	TX Valves	TX Valves
Drain Connection No./Size in. [mm]	1/0.75 [19.05]	1/0.75 [19.05]	1/0.75 [19.05]	1/0.75 [19.05]
<b>Outdoor Fan—Type</b>	Propeller	Propeller	Propeller	Propeller
No. Used/Diameter in. [mm]	1/22 [558.8]	1/22 [558.8]	1/22 [558.8]	1/22 [558.8]
Drive Type/No. Speeds	Direct/1	Direct/1	Direct/1	Direct/1
CFM [L/s]	2500 [1180]	2500 [1180]	2700 [1274]	2700 [1274]
No. Motors/HP	1 at 1/3 HP	1 at 1/3 HP	1 at 1/3 HP	1 at 1/3 HP
Motor RPM	1075	1075	1075	1075
<b>Indoor Fan—Type</b>	FC Centrifugal	FC Centrifugal	FC Centrifugal	FC Centrifugal
No. Used/Diameter in. [mm]	1/10x9 [254x229]	1/10x9 [254x229]	1/10x9 [254x229]	1/10x9 [254x229]
Drive Type/No. Speeds	Direct/3	Direct/3	Direct/3	Direct/3
No. Motors	1	1	1	1
Motor HP	1/2	1/2	1/2	1/2
Motor RPM	1075	1075	1075	1075
Motor Frame Size	48	48	48	48
<b>Filter—Type</b>	Field Supplied	Field Supplied	Field Supplied	Field Supplied
Furnished	No	No	No	No
(No.) Size Recommended in. [mm]	(1)1x24x24 [25x610x610]	(1)1x24x24 [25x610x610]	(1)1x24x24 [25x610x610]	(1)1x24x24 [25x610x610]
<b>Refrigerant Charge Oz. [g]</b>	72 [2041]	72 [2041]	83.2 [2359]	83.2 [2359]
<b>Weights</b>				
Net Weight lbs. [kg]	409 [186]	414 [188]	422 [191]	426 [193]
Ship Weight lbs. [kg]	449 [204]	454 [206]	462 [210]	466 [211]

See Page 11 for Notes.

[ ] Designates Metric Conversions

# GENERAL DATA—TZGE- SERIES

## NOMINAL SIZES 2-5 TONS [7.0-17.6 kW]

Model TZGE- Series	336DA080	336DA100	336JA080	336JA100
<b>Cooling Performance<sup>1</sup></b>				<b>CONTINUED</b> →
Gross Cooling Capacity Btu [kW]	37,400 [10.96]	37,400 [10.96]	37,400 [10.96]	37,400 [10.96]
EER/SEER <sup>2</sup>	11.7/13	11.7/13	11.7/13	11.7/13
Nominal CFM/ARI Rated CFM [L/s]	1200/1200 [566/566]	1200/1200 [566/566]	1200/1200 [566/566]	1200/1200 [566/566]
ARI Net Cooling Capacity Btu [kW]	36,000 [10.55]	36,000 [10.55]	36,000 [10.55]	36,000 [10.55]
Net Sensible Capacity Btu [kW]	25,740 [7.54]	25,740 [7.54]	25,740 [7.54]	25,740 [7.54]
Net Latent Capacity Btu [kW]	10,260 [3.01]	10,260 [3.01]	10,260 [3.01]	10,260 [3.01]
Net System Power kW	3.07	3.07	3.07	3.07
<b>Heating Performance (Gas)<sup>3</sup></b>				
Heating Input Btu [kW]	80,000 [23.44]	100,000 [29.3]	80,000 [23.44]	100,000 [29.3]
Heating Output Btu [kW]	64,800 [18.99]	81,000 [23.73]	62,000 [18.17]	77,000 [22.56]
Temperature Rise Range °F [°C]	40-70 [22.2/38.9]	45-85 [25/47.2]	40-70 [22.2/38.9]	45-85 [25/47.2]
AFUE (%) <sup>4</sup>	80	80	80	80
Steady State Efficiency (%)	81	81	81	81
No. Burners	4	5	4	5
No. Stages	1	1	1	1
Gas Connection Pipe Size in. [mm]	0.5 [12.7]	0.5 [12.7]	0.5 [12.7]	0.5 [12.7]
<b>Compressor</b>				
No./Type	1/Scroll	1/Scroll	1/Scroll	1/Scroll
<b>Outdoor Sound Rating (dB)<sup>5</sup></b>	76	76	76	76
<b>Outdoor Coil—Fin Type</b>	Louvered	Louvered	Louvered	Louvered
Tube Type	Rifled	Rifled	Rifled	Rifled
Tube Size in. [mm] OD	0.375 [9.5]	0.375 [9.5]	0.375 [9.5]	0.375 [9.5]
Face Area sq. ft. [sq. m]	14.8 [1.37]	14.8 [1.37]	14.8 [1.37]	14.8 [1.37]
Rows / FPI [FPcm]	1 / 22 [9]	1 / 22 [9]	1 / 22 [9]	1 / 22 [9]
<b>Indoor Coil—Fin Type</b>	Louvered	Louvered	Louvered	Louvered
Tube Type	Rifled	Rifled	Rifled	Rifled
Tube Size in. [mm]	0.375 [9.5]	0.375 [9.5]	0.375 [9.5]	0.375 [9.5]
Face Area sq. ft. [sq. m]	5.54 [0.51]	5.54 [0.51]	5.54 [0.51]	5.54 [0.51]
Rows / FPI [FPcm]	2 / 15 [6]	2 / 15 [6]	2 / 15 [6]	2 / 15 [6]
Refrigerant Control	TX Valves	TX Valves	TX Valves	TX Valves
Drain Connection No./Size in. [mm]	1/0.75 [19.05]	1/0.75 [19.05]	1/0.75 [19.05]	1/0.75 [19.05]
<b>Outdoor Fan—Type</b>	Propeller	Propeller	Propeller	Propeller
No. Used/Diameter in. [mm]	1/22 [558.8]	1/22 [558.8]	1/22 [558.8]	1/22 [558.8]
Drive Type/No. Speeds	Direct/1	Direct/1	Direct/1	Direct/1
CFM [L/s]	2700 [1274]	2700 [1274]	2700 [1274]	2700 [1274]
No. Motors/HP	1 at 1/3 HP	1 at 1/3 HP	1 at 1/3 HP	1 at 1/3 HP
Motor RPM	1075	1075	1075	1075
<b>Indoor Fan—Type</b>	FC Centrifugal	FC Centrifugal	FC Centrifugal	FC Centrifugal
No. Used/Diameter in. [mm]	1/10x9 [254x229]	1/10x9 [254x229]	1/10x9 [254x229]	1/10x9 [254x229]
Drive Type/No. Speeds	Direct/2	Direct/2	Direct/3	Direct/3
No. Motors	1	1	1	1
Motor HP	1/2	1/2	1/2	1/2
Motor RPM	1075	1075	1075	1075
Motor Frame Size	48	48	48	48
<b>Filter—Type</b>	Field Supplied	Field Supplied	Field Supplied	Field Supplied
Furnished	No	No	No	No
(No.) Size Recommended in. [mm]	(1)1x24x24 [25x610x610]	(1)1x24x24 [25x610x610]	(1)1x24x24 [25x610x610]	(1)1x24x24 [25x610x610]
<b>Refrigerant Charge Oz. [g]</b>	83.2 [2359]	83.2 [2359]	83.2 [2359]	83.2 [2359]
<b>Weights</b>				
Net Weight lbs. [kg]	422 [191]	426 [193]	422 [191]	426 [193]
Ship Weight lbs. [kg]	462 [210]	466 [211]	462 [210]	466 [211]

See Page 11 for Notes.

[ ] Designates Metric Conversions



**NOMINAL SIZES 2-5 TONS [7.0-17.6 kW]**

<b>Model TZGE- Series</b>	<b>342CA100</b>	<b>342JA100</b>	<b>348CA100</b>	<b>348JA100</b>
<b>Cooling Performance<sup>1</sup></b>				<b>CONTINUED</b> →
Gross Cooling Capacity Btu [kW]	42,500 [12.45]	42,500 [12.45]	50,000 [14.65]	50,000 [14.65]
EER/SEER <sup>2</sup>	11.5/13	11.5/13	11.4/13	11.4/13
Nominal CFM/ARI Rated CFM [L/s]	1400/1350 [661/637]	1400/1350 [661/637]	1600/1550 [755/731]	1600/1550 [755/731]
ARI Net Cooling Capacity Btu [kW]	41,000 [12.01]	41,000 [12.01]	48,000 [14.06]	48,000 [14.06]
Net Sensible Capacity Btu [kW]	28,510 [8.35]	28,510 [8.35]	34,020 [9.97]	34,020 [9.97]
Net Latent Capacity Btu [kW]	12,490 [3.66]	12,490 [3.66]	13,980 [4.1]	13,980 [4.1]
Net System Power kW	3.57	3.57	4.18	4.18
<b>Heating Performance (Gas)<sup>3</sup></b>				
Heating Input Btu [kW]	100,000 [29.3]	100,000 [29.3]	100,000 [29.3]	100,000 [29.3]
Heating Output Btu [kW]	81,000 [23.73]	77,000 [22.56]	81,000 [23.73]	77,000 [22.56]
Temperature Rise Range °F [°C]	45-85 [25/47.2]	45-85 [25/47.2]	45-85 [25/47.2]	45-85 [25/47.2]
AFUE (%) <sup>4</sup>	80	80	80	80
Steady State Efficiency (%)	81	81	81	81
No. Burners	5	5	5	5
No. Stages	1	1	1	1
Gas Connection Pipe Size in. [mm]	0.5 [12.7]	0.5 [12.7]	0.5 [12.7]	0.5 [12.7]
<b>Compressor</b>				
No./Type	1/Scroll	1/Scroll	1/Scroll	1/Scroll
<b>Outdoor Sound Rating (dB)<sup>5</sup></b>	76	76	78	78
<b>Outdoor Coil—Fin Type</b>	Louvered	Louvered	Louvered	Louvered
Tube Type	Rifled	Rifled	Rifled	Rifled
Tube Size in. [mm] OD	0.375 [9.5]	0.375 [9.5]	0.375 [9.5]	0.375 [9.5]
Face Area sq. ft. [sq. m]	16.65 [1.55]	16.65 [1.55]	16.23 [1.51]	16.23 [1.51]
Rows / FPI [FPcm]	1 / 22 [9]	1 / 22 [9]	1 / 22 [9]	1 / 22 [9]
<b>Indoor Coil—Fin Type</b>	Louvered	Louvered	Louvered	Louvered
Tube Type	Rifled	Rifled	Rifled	Rifled
Tube Size in. [mm]	0.375 [9.5]	0.375 [9.5]	0.375 [9.5]	0.375 [9.5]
Face Area sq. ft. [sq. m]	7.39 [0.69]	7.39 [0.69]	7.39 [0.69]	7.39 [0.69]
Rows / FPI [FPcm]	2 / 15 [6]	2 / 15 [6]	2 / 15 [6]	2 / 15 [6]
Refrigerant Control	TX Valves	TX Valves	TX Valves	TX Valves
Drain Connection No./Size in. [mm]	1/0.75 [19.05]	1/0.75 [19.05]	1/0.75 [19.05]	1/0.75 [19.05]
<b>Outdoor Fan—Type</b>	Propeller	Propeller	Propeller	Propeller
No. Used/Diameter in. [mm]	1/22 [558.8]	1/22 [558.8]	1/22 [558.8]	1/22 [558.8]
Drive Type/No. Speeds	Direct/1	Direct/1	Direct/1	Direct/1
CFM [L/s]	3500 [1652]	3500 [1652]	3300 [1557]	3300 [1557]
No. Motors/HP	1 at 1/3 HP	1 at 1/3 HP	1 at 1/3 HP	1 at 1/3 HP
Motor RPM	1075	1075	1075	1075
<b>Indoor Fan—Type</b>	FC Centrifugal	FC Centrifugal	FC Centrifugal	FC Centrifugal
No. Used/Diameter in. [mm]	1/10x9 [254x229]	1/10x9 [254x229]	1/10x9 [254x229]	1/10x9 [254x229]
Drive Type/No. Speeds	Direct/3	Direct/3	Direct/3	Direct/3
No. Motors	1	1	1	1
Motor HP	1/2	1/2	3/4	3/4
Motor RPM	1075	1075	1050	1050
Motor Frame Size	48	48	48	48
<b>Filter—Type</b>	Field Supplied	Field Supplied	Field Supplied	Field Supplied
Furnished	No	No	No	No
(No.) Size Recommended in. [mm]	(1)1x24x24 [25x610x610]	(1)1x24x24 [25x610x610]	(1)1x24x24 [25x610x610]	(1)1x24x24 [25x610x610]
<b>Refrigerant Charge Oz. [g]</b>	104 [2948]	104 [2948]	97.6 [2767]	97.6 [2767]
<b>Weights</b>				
Net Weight lbs. [kg]	437 [198]	437 [198]	491 [223]	500 [227]
Ship Weight lbs. [kg]	477 [216]	477 [216]	502 [228]	511 [232]

See Page 11 for Notes.

[ ] Designates Metric Conversions

# GENERAL DATA—TZGE- SERIES

## NOMINAL SIZES 2-5 TONS [7.0-17.6 kW]

Model TZGE- Series	360CA100	360JA100
<b>Cooling Performance<sup>1</sup></b>		
Gross Cooling Capacity Btu [kW]	60,000 [17.58]	60,000 [17.58]
EER/SEER <sup>2</sup>	11.1/13	11.1/13
Nominal CFM/ARI Rated CFM [L/s]	2000/1850 [944/873]	2000/1850 [944/873]
ARI Net Cooling Capacity Btu [kW]	58,000 [16.99]	58,000 [16.99]
Net Sensible Capacity Btu [kW]	40,560 [11.88]	40,560 [11.88]
Net Latent Capacity Btu [kW]	17,440 [5.11]	17,440 [5.11]
Net System Power kW	5.2	5.2
<b>Heating Performance (Gas)<sup>3</sup></b>		
Heating Input Btu [kW]	100,000 [29.3]	100,000 [29.3]
Heating Output Btu [kW]	81,000 [23.73]	77,000 [22.56]
Temperature Rise Range °F [°C]	45-85 [25/47.2]	45-85 [25/47.2]
AFUE (%) <sup>4</sup>	80	80
Steady State Efficiency (%)	81	81
No. Burners	5	5
No. Stages	1	1
Gas Connection Pipe Size in. [mm]	0.5 [12.7]	0.5 [12.7]
<b>Compressor</b>		
No./Type	1/Scroll	1/Scroll
<b>Outdoor Sound Rating (dB)<sup>5</sup></b>		
	78	78
<b>Outdoor Coil—Fin Type</b>		
Tube Type	Louvered	Louvered
Tube Type	Rifled	Rifled
Tube Size in. [mm] OD	0.375 [9.5]	0.375 [9.5]
Face Area sq. ft. [sq. m]	16.23 [1.51]	16.23 [1.51]
Rows / FPI [FPcm]	2 / 22 [9]	2 / 22 [9]
<b>Indoor Coil—Fin Type</b>		
Tube Type	Louvered	Louvered
Tube Type	Rifled	Rifled
Tube Size in. [mm]	0.375 [9.5]	0.375 [9.5]
Face Area sq. ft. [sq. m]	7.39 [0.69]	7.39 [0.69]
Rows / FPI [FPcm]	2 / 15 [6]	2 / 15 [6]
Refrigerant Control	TX Valves	TX Valves
Drain Connection No./Size in. [mm]	1/0.75 [19.05]	1/0.75 [19.05]
<b>Outdoor Fan—Type</b>		
	Propeller	Propeller
No. Used/Diameter in. [mm]	1/22 [558.8]	1/22 [558.8]
Drive Type/No. Speeds	Direct/1	Direct/1
CFM [L/s]	3300 [1557]	3300 [1557]
No. Motors/HP	1 at 1/3 HP	1 at 1/3 HP
Motor RPM	1075	1075
<b>Indoor Fan—Type</b>		
	FC Centrifugal	FC Centrifugal
No. Used/Diameter in. [mm]	1/12x9 [305x229]	1/12x9 [305x229]
Drive Type/No. Speeds	Direct/3	Direct/3
No. Motors	1	1
Motor HP	1	1
Motor RPM	1075	1075
Motor Frame Size	48	48
<b>Filter—Type</b>		
Furnished	Field Supplied	Field Supplied
(No.) Size Recommended in. [mm]	No (1)1x24x30 [25x610x762]	No (1)1x24x30 [25x610x762]
<b>Refrigerant Charge Oz. [g]</b>		
	145.6 [4128]	145.6 [4128]
<b>Weights</b>		
Net Weight lbs. [kg]	540 [245]	540 [245]
Ship Weight lbs. [kg]	585 [265]	585 [265]

See Page 11 for Notes.

[ ] Designates Metric Conversions

### NOTES:

1. Cooling Performance is rated at 95° F ambient, 80° F entering dry bulb, 67° F entering wet bulb. Gross capacity does not include the effect of fan motor heat. ARI capacity is net and includes the effect of fan motor heat. Units are suitable for operation to  $\pm 20\%$  of nominal cfm. Units are certified in accordance with the Unitary Air Conditioner Equipment certification program, which is based on ARI Standard 210/240 or 360.
2. EER and/or SEER are rated at ARI conditions and in accordance with DOE test procedures.
3. Heating Performance limit settings and rating data were established and approved under laboratory test conditions using American National Standard Institute standards. Ratings shown are for elevations up to 2000 feet. For elevations above 2000 feet, ratings should be reduced at the rate of 4% for each 1000 feet above sea level.
4. AFUE is rated in accordance with DOE test procedures.
5. Outdoor Sound Rating shown is tested in accordance with ARI Standard 270.

# SYSTEMS PERFORMANCE—TZGE- SERIES

## GROSS SYSTEMS PERFORMANCE DATA—TZGE-324

		ENTERING INDOOR AIR @ 80°F [26.7°C] dbE ①									
wbE		71°F [21.7°C]			67°F [19.4°C]			63°F [17.2°C]			
CFM [L/s]		880 [415]	800 [378]	680 [321]	880 [415]	800 [378]	680 [321]	880 [415]	800 [378]	680 [321]	
DR ①		.21	.20	.18	.21	.20	.18	.21	.20	.18	
OUTDOOR DRY BULB TEMPERATURE °F [°C]	75 [23.9]	Total BTUH [kW] Sens BTUH [kW] Power	28.9 [8.47] 16.2 [4.75] 1.4	28.4 [8.32] 15.4 [4.51] 1.3	27.6 [8.09] 14.4 [4.22] 1.3	27.3 [8.00] 19.5 [5.71] 1.3	26.8 [7.85] 18.6 [5.45] 1.3	26.1 [7.65] 17.3 [5.07] 1.3	25.0 [7.33] 22.0 [6.45] 1.3	24.6 [7.21] 21.1 [6.18] 1.3	23.9 [7.00] 19.6 [5.74] 1.3
	80 [26.7]	Total BTUH [kW] Sens BTUH [kW] Power	28.9 [8.47] 16.1 [4.72] 1.5	28.4 [8.32] 15.4 [4.51] 1.5	27.6 [8.09] 14.3 [4.19] 1.4	27.2 [7.97] 19.5 [5.71] 1.5	26.8 [7.85] 18.6 [5.45] 1.4	26.0 [7.62] 17.3 [5.07] 1.4	25.0 [7.33] 22.0 [6.45] 1.4	24.5 [7.18] 21.0 [6.15] 1.4	23.9 [7.00] 19.6 [5.74] 1.4
	85 [29.4]	Total BTUH [kW] Sens BTUH [kW] Power	28.5 [8.35] 16.0 [4.69] 1.6	28.0 [8.21] 15.3 [4.48] 1.6	27.2 [7.97] 14.2 [4.16] 1.5	26.9 [7.88] 19.3 [5.66] 1.6	26.4 [7.74] 18.5 [5.42] 1.6	25.7 [7.53] 17.2 [5.04] 1.5	24.6 [7.21] 21.9 [6.42] 1.5	24.1 [7.06] 20.9 [6.13] 1.5	23.5 [6.89] 19.5 [5.71] 1.5
	90 [32.2]	Total BTUH [kW] Sens BTUH [kW] Power	27.8 [8.15] 15.8 [4.63] 1.7	27.3 [8.00] 15.1 [4.43] 1.7	26.6 [7.80] 14.0 [4.10] 1.7	26.2 [7.68] 19.1 [5.60] 1.7	25.7 [7.53] 18.3 [5.36] 1.7	25.0 [7.33] 17.0 [4.98] 1.7	23.9 [7.00] 21.7 [6.36] 1.6	23.5 [6.89] 20.7 [6.07] 1.6	22.8 [6.68] 19.3 [5.66] 1.6
	95 [35]	Total BTUH [kW] Sens BTUH [kW] Power	27.0 [7.91] 15.5 [4.54] 1.8	26.5 [7.77] 14.8 [4.34] 1.8	25.8 [7.56] 13.8 [4.04] 1.8	25.3 [7.41] 18.9 [5.54] 1.8	24.8 [7.27] 18.0 [5.28] 1.8	24.2 [7.09] 16.8 [4.92] 1.8	23.0 [6.74] 21.4 [6.27] 1.8	22.6 [6.62] 20.5 [6.01] 1.7	22.0 [6.45] 19.0 [5.57] 1.7
	100 [37.8]	Total BTUH [kW] Sens BTUH [kW] Power	26.0 [7.62] 15.2 [4.45] 1.9	25.5 [7.47] 14.5 [4.25] 1.9	24.8 [7.27] 13.5 [3.96] 1.9	24.3 [7.12] 18.5 [5.42] 1.9	23.9 [7.00] 17.7 [5.19] 1.9	23.2 [6.80] 16.4 [4.81] 1.9	22.1 [6.48] 21.1 [6.18] 1.9	21.7 [6.36] 20.1 [5.89] 1.9	21.1 [6.18] 18.7 [5.48] 1.8
	105 [40.6]	Total BTUH [kW] Sens BTUH [kW] Power	25.0 [7.33] 14.7 [4.31] 2.0	24.5 [7.18] 14.1 [4.13] 2.0	23.9 [7.00] 13.1 [3.84] 2.0	23.3 [6.83] 18.1 [5.30] 2.0	22.9 [6.71] 17.3 [5.07] 2.0	22.3 [6.54] 16.1 [4.72] 2.0	21.1 [6.18] 20.6 [6.04] 2.0	20.7 [6.07] 19.7 [5.77] 2.0	20.1 [5.89] 18.3 [5.36] 1.9
	110 [43.3]	Total BTUH [kW] Sens BTUH [kW] Power	24.1 [7.06] 14.3 [4.19] 2.1	23.7 [6.95] 13.6 [3.99] 2.1	23.0 [6.74] 12.7 [3.72] 2.1	22.4 [6.56] 17.6 [5.16] 2.1	22.0 [6.45] 16.8 [4.92] 2.1	21.4 [6.27] 15.6 [4.57] 2.1	20.2 [5.92] 20.1 [5.89] 2.1	19.8 [5.80] 19.2 [5.63] 2.1	19.3 [5.66] 17.9 [5.25] 2.1
	115 [46.1]	Total BTUH [kW] Sens BTUH [kW] Power	23.3 [6.83] 13.7 [4.02] 2.3	22.9 [6.71] 13.1 [3.84] 2.2	22.3 [6.54] 12.2 [3.58] 2.2	21.7 [6.36] 17.0 [4.98] 2.3	21.3 [6.24] 16.3 [4.78] 2.2	20.7 [6.07] 15.1 [4.43] 2.2	19.4 [5.69] 19.4 [5.69] 2.2	19.1 [5.60] 18.7 [5.48] 2.2	18.5 [5.42] 17.4 [5.10] 2.2

## GROSS SYSTEMS PERFORMANCE DATA—TZGE-330

		ENTERING INDOOR AIR @ 80°F [26.7°C] dbE ①									
wbE		71°F [21.7°C]			67°F [19.4°C]			63°F [17.2°C]			
CFM [L/s]		1100 [519]	1000 [472]	850 [401]	1100 [519]	1000 [472]	850 [401]	1100 [519]	1000 [472]	850 [401]	
DR ①		.24	.23	.21	.24	.23	.21	.24	.23	.21	
OUTDOOR DRY BULB TEMPERATURE °F [°C]	75 [23.9]	Total BTUH [kW] Sens BTUH [kW] Power	37.6 [11.02] 21.3 [6.24] 1.9	36.9 [10.81] 20.3 [5.95] 1.9	35.9 [10.52] 18.9 [5.54] 1.9	35.0 [10.26] 25.2 [7.39] 1.9	34.4 [10.08] 24.1 [7.06] 1.9	33.4 [9.79] 22.4 [6.56] 1.9	33.6 [9.85] 27.2 [7.97] 1.9	33.0 [9.67] 26.0 [7.62] 1.9	32.1 [9.41] 24.2 [7.09] 1.9
	80 [26.7]	Total BTUH [kW] Sens BTUH [kW] Power	37.1 [10.87] 20.8 [6.10] 2.1	36.4 [10.67] 19.9 [5.83] 2.0	35.4 [10.37] 18.5 [5.42] 2.0	34.5 [10.11] 24.7 [7.24] 2.0	33.9 [9.94] 23.6 [6.92] 2.0	32.9 [9.64] 22.0 [6.45] 2.0	33.1 [9.70] 26.7 [7.83] 2.0	32.5 [9.52] 25.5 [7.47] 2.0	31.6 [9.26] 23.8 [6.98] 2.0
	85 [29.4]	Total BTUH [kW] Sens BTUH [kW] Power	36.3 [10.64] 20.3 [5.95] 2.2	35.6 [10.43] 19.4 [5.69] 2.2	34.7 [10.17] 18.0 [5.28] 2.1	33.7 [9.88] 24.2 [7.09] 2.2	33.1 [9.70] 23.1 [6.77] 2.1	32.2 [9.44] 21.5 [6.30] 2.1	32.3 [9.47] 26.2 [7.68] 2.1	31.7 [9.29] 25.1 [7.36] 2.1	30.9 [9.06] 23.3 [6.83] 2.1
	90 [32.2]	Total BTUH [kW] Sens BTUH [kW] Power	35.3 [10.35] 19.8 [5.80] 2.3	34.7 [10.17] 18.9 [5.54] 2.3	33.8 [9.91] 17.6 [5.16] 2.2	32.8 [9.61] 23.7 [6.95] 2.3	32.2 [9.44] 22.6 [6.62] 2.2	31.3 [9.17] 21.1 [6.18] 2.2	31.4 [9.20] 25.7 [7.53] 2.3	30.8 [9.03] 24.6 [7.21] 2.2	30.0 [8.79] 22.9 [6.71] 2.2
	95 [35]	Total BTUH [kW] Sens BTUH [kW] Power	34.3 [10.05] 19.3 [5.66] 2.4	33.7 [9.88] 18.4 [5.39] 2.4	32.8 [9.61] 17.1 [5.01] 2.4	31.7 [9.29] 23.2 [6.80] 2.4	31.2 [9.14] 22.1 [6.48] 2.4	30.3 [8.88] 20.6 [6.04] 2.3	30.3 [8.88] 25.2 [7.39] 2.4	29.8 [8.73] 24.1 [7.06] 2.4	29.0 [8.50] 22.4 [6.56] 2.3
	100 [37.8]	Total BTUH [kW] Sens BTUH [kW] Power	33.2 [9.73] 18.7 [5.48] 2.5	32.6 [9.55] 17.9 [5.25] 2.5	31.7 [9.29] 16.6 [4.86] 2.5	30.6 [8.97] 22.7 [6.65] 2.5	30.1 [8.82] 21.6 [6.33] 2.5	29.3 [8.59] 20.1 [5.89] 2.4	29.2 [8.56] 24.7 [7.24] 2.5	28.7 [8.41] 23.6 [6.92] 2.5	27.9 [8.18] 21.9 [6.42] 2.4
	105 [40.6]	Total BTUH [kW] Sens BTUH [kW] Power	32.1 [9.41] 18.2 [5.33] 2.6	31.6 [9.26] 17.4 [5.10] 2.6	30.7 [9.00] 16.2 [4.75] 2.6	29.6 [8.67] 22.1 [6.48] 2.6	29.0 [8.50] 21.2 [6.21] 2.6	28.3 [8.29] 19.7 [5.77] 2.6	28.2 [8.26] 24.2 [7.09] 2.6	27.7 [8.12] 23.1 [6.77] 2.6	26.9 [7.88] 21.5 [6.30] 2.5
	110 [43.3]	Total BTUH [kW] Sens BTUH [kW] Power	31.2 [9.14] 17.7 [5.19] 2.7	30.6 [8.97] 16.9 [4.95] 2.7	29.8 [8.73] 15.7 [4.60] 2.7	28.6 [8.38] 21.6 [6.33] 2.7	28.1 [8.24] 20.7 [6.07] 2.7	27.3 [8.00] 19.2 [5.63] 2.7	27.2 [7.97] 23.7 [6.95] 2.7	26.7 [7.83] 22.6 [6.62] 2.7	26.0 [7.62] 21.0 [6.15] 2.7
	115 [46.1]	Total BTUH [kW] Sens BTUH [kW] Power	30.4 [8.91] 17.2 [5.04] 2.9	29.8 [8.73] 16.5 [4.84] 2.8	29.0 [8.50] 15.3 [4.48] 2.8	27.8 [8.15] 21.1 [6.18] 2.8	27.3 [8.00] 20.2 [5.92] 2.8	26.6 [7.80] 18.8 [5.51] 2.8	26.4 [7.74] 23.2 [6.80] 2.8	25.9 [7.59] 22.1 [6.48] 2.8	25.2 [7.39] 20.6 [6.04] 2.8

DR —Depression ratio  
dbE—Entering air dry bulb  
wbE—Entering air wet bulb

Total —Total capacity x 1000 BTUH  
Sens —Sensible capacity x 1000 BTUH  
Power—KW input

NOTES: ① When the entering air dry bulb is other than 80°F [27°C], adjust the sensible capacity from the table by adding  $[1.10 \times \text{CFM} \times (1 - \text{DR}) \times (\text{dbE} - 80)]$ .

[ ] Designates Metric Conversions

# SYSTEMS PERFORMANCE—TZGE- SERIES

## GROSS SYSTEMS PERFORMANCE DATA—TZGE-336

		ENTERING INDOOR AIR @ 80°F [26.7°C] dbE ①									
		71°F [21.7°C]			67°F [19.4°C]			63°F [17.2°C]			
wbE		1320 [623]	1200 [566]	1020 [481]	1320 [623]	1200 [566]	1020 [481]	1320 [623]	1200 [566]	1020 [481]	
CFM [L/s]											
DR ①		.21	.20	.17	.21	.20	.17	.21	.20	.17	
OUTDOOR DRY BULB TEMPERATURE °F [°C]	75 [23.9]	Total BTUH [kW]	44.4 [13.01]	43.6 [12.78]	42.4 [12.43]	41.3 [12.10]	40.6 [11.90]	39.5 [11.58]	39.6 [11.61]	38.9 [11.40]	37.8 [11.08]
		Sens BTUH [kW]	25.5 [7.47]	24.4 [7.15]	22.7 [6.65]	30.4 [8.91]	29.1 [8.53]	27.0 [7.91]	31.4 [9.20]	30.0 [8.79]	27.9 [8.18]
		Power	2.2	2.1	2.1	2.1	2.1	2.1	2.1	2.1	2.1
	80 [26.7]	Total BTUH [kW]	43.6 [12.78]	42.8 [12.54]	41.7 [12.22]	40.5 [11.87]	39.8 [11.66]	38.7 [11.34]	38.7 [11.34]	38.0 [11.14]	37.0 [10.84]
		Sens BTUH [kW]	25.0 [7.33]	23.9 [7.00]	22.2 [6.51]	29.9 [8.76]	28.6 [8.38]	26.6 [7.80]	30.8 [9.03]	29.5 [8.65]	27.4 [8.03]
		Power	2.3	2.3	2.2	2.3	2.3	2.2	2.3	2.3	2.2
	85 [29.4]	Total BTUH [kW]	42.8 [12.54]	42.1 [12.34]	40.9 [11.99]	39.7 [11.63]	39.0 [11.43]	38.0 [11.14]	38.0 [11.14]	37.3 [10.93]	36.3 [10.64]
		Sens BTUH [kW]	24.5 [7.18]	23.4 [6.86]	21.8 [6.39]	29.4 [8.62]	28.1 [8.24]	26.1 [7.65]	30.3 [8.88]	29.0 [8.50]	27.0 [7.91]
		Power	2.4	2.4	2.4	2.4	2.4	2.4	2.4	2.4	2.4
	90 [32.2]	Total BTUH [kW]	42.0 [12.31]	41.3 [12.10]	40.2 [11.78]	38.9 [11.40]	38.3 [11.22]	37.2 [10.90]	37.2 [10.90]	36.5 [10.70]	35.5 [10.40]
Sens BTUH [kW]		24.0 [7.03]	22.9 [6.71]	21.3 [6.24]	28.9 [8.47]	27.6 [8.09]	25.7 [7.53]	29.9 [8.76]	28.5 [8.35]	26.5 [7.77]	
Power		2.6	2.5	2.5	2.6	2.5	2.5	2.5	2.5	2.5	
95 [35]	Total BTUH [kW]	41.1 [12.05]	40.4 [11.84]	39.3 [11.52]	38.0 [11.14]	37.4 [10.96]	36.3 [10.64]	36.3 [10.64]	35.6 [10.43]	34.7 [10.17]	
	Sens BTUH [kW]	23.5 [6.89]	22.4 [6.56]	20.9 [6.13]	28.4 [8.32]	27.1 [7.94]	25.2 [7.39]	29.3 [8.59]	28.0 [8.21]	26.0 [7.62]	
	Power	2.7	2.7	2.6	2.7	2.7	2.6	2.7	2.7	2.6	
100 [37.8]	Total BTUH [kW]	40.0 [11.72]	39.3 [11.52]	38.2 [11.20]	36.9 [10.81]	36.3 [10.64]	35.3 [10.35]	35.2 [10.32]	34.5 [10.11]	33.6 [9.85]	
	Sens BTUH [kW]	22.8 [6.68]	21.8 [6.39]	20.3 [5.95]	27.7 [8.12]	26.5 [7.77]	24.6 [7.21]	28.7 [8.41]	27.4 [8.03]	25.5 [7.47]	
	Power	2.8	2.8	2.8	2.8	2.8	2.8	2.8	2.8	2.8	
105 [40.6]	Total BTUH [kW]	38.6 [11.31]	37.9 [11.11]	36.9 [10.81]	35.5 [10.40]	34.9 [10.23]	33.9 [9.94]	33.8 [9.91]	33.2 [9.73]	32.3 [9.47]	
	Sens BTUH [kW]	22.1 [6.48]	21.1 [6.18]	19.6 [5.74]	26.9 [7.88]	25.7 [7.53]	23.9 [7.00]	27.9 [8.18]	26.6 [7.80]	24.8 [7.27]	
	Power	3.0	3.0	2.9	3.0	2.9	2.9	3.0	2.9	2.9	
110 [43.3]	Total BTUH [kW]	36.9 [10.81]	36.2 [10.61]	35.2 [10.32]	33.8 [9.91]	33.1 [9.70]	32.2 [9.44]	32.0 [9.38]	31.4 [9.20]	30.6 [8.97]	
	Sens BTUH [kW]	21.1 [6.18]	20.1 [5.89]	18.7 [5.48]	26.0 [7.62]	24.8 [7.27]	23.1 [6.77]	26.9 [7.88]	25.7 [7.53]	23.9 [7.00]	
	Power	3.1	3.1	3.1	3.1	3.1	3.0	3.1	3.1	3.0	
115 [46.1]	Total BTUH [kW]	34.6 [10.14]	34.0 [9.96]	33.1 [9.70]	31.5 [9.23]	30.9 [9.06]	30.1 [8.82]	29.7 [8.70]	29.2 [8.56]	28.4 [8.32]	
	Sens BTUH [kW]	19.9 [5.83]	19.0 [5.57]	17.7 [5.19]	24.8 [7.27]	23.7 [6.95]	22.0 [6.45]	25.7 [7.53]	24.6 [7.21]	22.9 [6.71]	
	Power	3.3	3.2	3.2	3.2	3.2	3.2	3.2	3.2	3.2	

## GROSS SYSTEMS PERFORMANCE DATA—TZGE-342

		ENTERING INDOOR AIR @ 80°F [26.7°C] dbE ①									
		71°F [21.7°C]			67°F [19.4°C]			63°F [17.2°C]			
wbE		880 [415]	800 [378]	680 [321]	880 [415]	800 [378]	680 [321]	880 [415]	800 [378]	680 [321]	
CFM [L/s]											
DR ①		.24	.23	.21	.24	.23	.21	.24	.23	.21	
OUTDOOR DRY BULB TEMPERATURE °F [°C]	75 [23.9]	Total BTUH [kW]	51.1 [14.98]	50.2 [14.71]	48.8 [14.30]	47.7 [13.98]	46.9 [13.75]	45.6 [13.36]	45.2 [13.25]	44.3 [12.98]	43.1 [12.63]
		Sens BTUH [kW]	28.1 [8.24]	26.9 [7.88]	25.0 [7.33]	33.4 [9.79]	31.9 [9.35]	29.7 [8.70]	37.9 [11.11]	36.2 [10.61]	33.6 [9.85]
		Power	2.6	2.6	2.5	2.5	2.5	2.5	2.5	2.5	2.5
	80 [26.7]	Total BTUH [kW]	50.1 [14.68]	49.2 [14.42]	47.8 [14.01]	46.7 [13.69]	45.9 [13.45]	44.6 [13.07]	44.1 [12.92]	43.3 [12.69]	42.2 [12.37]
		Sens BTUH [kW]	27.9 [8.18]	26.7 [7.83]	24.8 [7.27]	33.2 [9.73]	31.7 [9.29]	29.5 [8.65]	37.6 [11.02]	36.0 [10.55]	33.5 [9.82]
		Power	2.7	2.7	2.7	2.7	2.7	2.6	2.7	2.7	2.6
	85 [29.4]	Total BTUH [kW]	49.0 [14.36]	48.1 [14.10]	46.8 [13.72]	45.6 [13.36]	44.8 [13.13]	43.6 [12.78]	43.1 [12.63]	42.3 [12.40]	41.1 [12.05]
		Sens BTUH [kW]	27.5 [8.06]	26.3 [7.71]	24.5 [7.18]	32.8 [9.61]	31.3 [9.17]	29.1 [8.53]	37.2 [10.90]	35.6 [10.43]	33.1 [9.70]
		Power	2.9	2.8	2.8	2.8	2.8	2.8	2.8	2.8	2.8
	90 [32.2]	Total BTUH [kW]	47.9 [14.04]	47.0 [13.77]	45.8 [13.42]	44.5 [13.04]	43.7 [12.81]	42.5 [12.46]	42.0 [12.31]	41.2 [12.07]	40.1 [11.75]
Sens BTUH [kW]		27.0 [7.91]	25.8 [7.56]	24.0 [7.03]	32.2 [9.44]	30.8 [9.03]	28.6 [8.38]	36.7 [10.76]	35.0 [10.26]	32.6 [9.55]	
Power		3.0	3.0	2.9	3.0	3.0	2.9	3.0	2.9	2.9	
95 [35]	Total BTUH [kW]	46.8 [13.72]	45.9 [13.45]	44.7 [13.10]	43.4 [12.72]	42.6 [12.48]	41.4 [12.13]	40.8 [11.96]	40.1 [11.75]	39.0 [11.43]	
	Sens BTUH [kW]	26.3 [7.71]	25.1 [7.36]	23.4 [6.86]	31.5 [9.23]	30.1 [8.82]	28.0 [8.21]	36.0 [10.55]	34.4 [10.08]	32.0 [9.38]	
	Power	3.2	3.1	3.1	3.1	3.1	3.1	3.1	3.1	3.0	
100 [37.8]	Total BTUH [kW]	45.6 [13.36]	44.8 [13.13]	43.6 [12.78]	42.2 [12.37]	41.5 [12.16]	40.4 [11.84]	39.7 [11.63]	39.0 [11.43]	37.9 [11.11]	
	Sens BTUH [kW]	25.6 [7.50]	24.4 [7.15]	22.7 [6.65]	30.8 [9.03]	29.4 [8.62]	27.4 [8.03]	35.3 [10.35]	33.7 [9.88]	31.3 [9.17]	
	Power	3.3	3.3	3.2	3.3	3.2	3.2	3.3	3.2	3.2	
105 [40.6]	Total BTUH [kW]	44.5 [13.04]	43.7 [12.81]	42.5 [12.46]	41.1 [12.05]	40.4 [11.84]	39.3 [11.52]	38.6 [11.31]	37.9 [11.11]	36.8 [10.79]	
	Sens BTUH [kW]	24.8 [7.27]	23.7 [6.95]	22.1 [6.48]	30.1 [8.82]	28.7 [8.41]	26.7 [7.83]	34.5 [10.11]	33.0 [9.67]	30.7 [9.00]	
	Power	3.4	3.4	3.4	3.4	3.4	3.3	3.4	3.4	3.3	
110 [43.3]	Total BTUH [kW]	43.4 [12.72]	42.6 [12.48]	41.5 [12.16]	40.0 [11.72]	39.3 [11.52]	38.2 [11.20]	37.5 [10.99]	36.8 [10.79]	35.8 [10.49]	
	Sens BTUH [kW]	24.2 [7.09]	23.1 [6.77]	21.5 [6.30]	29.4 [8.62]	28.1 [8.24]	26.1 [7.65]	33.9 [9.94]	32.4 [9.50]	30.1 [8.82]	
	Power	3.6	3.6	3.5	3.6	3.5	3.5	3.5	3.5	3.5	
115 [46.1]	Total BTUH [kW]	42.3 [12.40]	41.6 [12.19]	40.4 [11.84]	39.0 [11.43]	38.3 [11.22]	37.2 [10.90]	36.4 [10.67]	35.7 [10.46]	34.8 [10.20]	
	Sens BTUH [kW]	23.6 [6.92]	22.5 [6.59]	21.0 [6.15]	28.8 [8.44]	27.5 [8.06]	25.6 [7.50]	33.3 [9.76]	31.8 [9.32]	29.6 [8.67]	
	Power	3.7	3.7	3.7	3.7	3.7	3.6	3.7	3.7	3.6	

DR —Depression ratio  
dbE—Entering air dry bulb  
wbE—Entering air wet bulb

Total —Total capacity x 1000 BTUH  
Sens —Sensible capacity x 1000 BTUH  
Power—KW input

NOTES: ① When the entering air dry bulb is other than 80°F [27°C], adjust the sensible capacity from the table by adding  $[1.10 \times \text{CFM} \times (1 - \text{DR}) \times (\text{dbE} - 80)]$ .

[ ] Designates Metric Conversions

# SYSTEMS PERFORMANCE—TZGE- SERIES

## GROSS SYSTEMS PERFORMANCE DATA—TZGE-348

		ENTERING INDOOR AIR @ 80°F [26.7°C] dbE ①									
wbE		71°F [21.7°C]			67°F [19.4°C]			63°F [17.2°C]			
CFM [L/s]		1760 [831]	1600 [755]	1360 [642]	1760 [831]	1600 [755]	1360 [642]	1760 [831]	1600 [755]	1360 [642]	
DR ①		.20	.19	.17	.20	.19	.17	.20	.19	.17	
OUTDOOR DRY BULB TEMPERATURE °F [°C]	75 [23.9]	Total BTUH [kW] Sens BTUH [kW] Power	60.8 [17.82] 36.3 [10.64] 2.9	59.7 [17.50] 34.7 [10.17] 2.9	58.1 [17.03] 32.3 [9.47] 2.9	56.4 [16.53] 41.5 [12.16] 2.9	55.4 [16.24] 39.7 [11.63] 2.9	53.9 [15.80] 36.9 [10.81] 2.9	53.1 [15.56] 48.2 [14.13] 2.9	52.2 [15.30] 46.0 [13.48] 2.8	50.8 [14.89] 42.8 [12.54] 2.8
	80 [26.7]	Total BTUH [kW] Sens BTUH [kW] Power	59.9 [17.55] 35.2 [10.32] 3.1	58.8 [17.23] 33.7 [9.88] 3.1	57.2 [16.76] 31.3 [9.17] 3.0	55.5 [16.27] 40.4 [11.84] 3.1	54.5 [15.97] 38.6 [11.31] 3.1	53.0 [15.53] 35.9 [10.52] 3.0	52.3 [15.33] 47.1 [13.80] 3.0	51.3 [15.03] 45.0 [13.19] 3.0	49.9 [14.62] 41.8 [12.25] 3.0
	85 [29.4]	Total BTUH [kW] Sens BTUH [kW] Power	58.8 [17.23] 34.3 [10.05] 3.3	57.7 [16.91] 32.8 [9.61] 3.2	56.1 [16.44] 30.5 [8.94] 3.2	54.4 [15.94] 39.5 [11.58] 3.3	53.4 [15.65] 37.7 [11.05] 3.2	51.9 [15.21] 35.1 [10.29] 3.2	51.1 [14.98] 46.1 [13.51] 3.2	50.2 [14.71] 44.1 [12.92] 3.2	48.8 [14.30] 41.0 [12.02] 3.1
	90 [32.2]	Total BTUH [kW] Sens BTUH [kW] Power	57.4 [16.82] 33.5 [9.82] 3.4	56.4 [16.53] 32.0 [9.38] 3.4	54.8 [16.06] 29.8 [8.73] 3.4	53.0 [15.53] 38.7 [11.34] 3.4	52.0 [15.24] 37.0 [10.84] 3.4	50.6 [14.83] 34.4 [10.08] 3.4	49.7 [14.57] 45.3 [13.28] 3.4	48.8 [14.30] 43.4 [12.72] 3.3	47.5 [13.92] 40.3 [11.81] 3.3
	95 [35]	Total BTUH [kW] Sens BTUH [kW] Power	55.9 [16.38] 33.1 [9.70] 3.6	54.9 [16.09] 31.6 [9.26] 3.6	53.4 [15.65] 29.4 [8.62] 3.5	51.5 [15.09] 38.3 [11.22] 3.6	50.6 [14.83] 36.6 [10.73] 3.6	49.2 [14.42] 34.0 [9.96] 3.5	48.2 [14.13] 45.0 [13.19] 3.5	47.4 [13.89] 42.9 [12.57] 3.5	46.1 [13.51] 39.9 [11.69] 3.5
	100 [37.8]	Total BTUH [kW] Sens BTUH [kW] Power	54.3 [15.91] 33.0 [9.67] 3.8	53.3 [15.62] 31.5 [9.23] 3.7	51.9 [15.21] 29.3 [8.59] 3.7	49.9 [14.62] 38.2 [11.20] 3.8	49.0 [14.36] 36.5 [10.70] 3.7	47.7 [13.98] 34.0 [9.96] 3.7	46.7 [13.69] 45.0 [13.19] 3.7	45.8 [13.42] 42.9 [12.57] 3.7	44.6 [13.07] 39.9 [11.69] 3.6
	105 [40.6]	Total BTUH [kW] Sens BTUH [kW] Power	52.8 [15.47] 33.4 [9.79] 3.9	51.8 [15.18] 31.9 [9.35] 3.9	50.4 [14.77] 29.7 [8.70] 3.9	48.4 [14.18] 38.6 [11.31] 3.9	47.5 [13.92] 36.9 [10.81] 3.9	46.2 [13.54] 34.3 [10.05] 3.9	45.1 [13.22] 45.1 [13.22] 3.9	44.3 [12.98] 43.2 [12.66] 3.9	43.1 [12.63] 40.2 [11.78] 3.8
	110 [43.3]	Total BTUH [kW] Sens BTUH [kW] Power	51.3 [15.03] 34.4 [10.08] 4.1	50.4 [14.77] 32.9 [9.64] 4.1	49.0 [14.36] 30.6 [8.97] 4.0	46.9 [13.75] 39.6 [11.61] 4.1	46.1 [13.51] 37.8 [11.08] 4.1	44.8 [13.13] 35.2 [10.32] 4.0	43.6 [12.78] 43.6 [12.78] 4.1	42.9 [12.57] 42.9 [12.57] 4.0	41.7 [12.22] 41.1 [12.05] 4.0
	115 [46.1]	Total BTUH [kW] Sens BTUH [kW] Power	50.0 [14.65] 36.0 [10.55] 4.3	49.1 [14.39] 34.4 [10.08] 4.2	47.8 [14.01] 32.0 [9.38] 4.2	45.6 [13.36] 41.2 [12.07] 4.3	44.8 [13.13] 39.4 [11.55] 4.3	43.6 [12.78] 36.6 [10.73] 4.2	42.3 [12.40] 42.3 [12.40] 4.2	41.6 [12.19] 41.6 [12.19] 4.2	40.4 [11.84] 40.4 [11.84] 4.1

## GROSS SYSTEMS PERFORMANCE DATA—TZGE-360

		ENTERING INDOOR AIR @ 80°F [26.7°C] dbE ①									
wbE		71°F [21.7°C]			67°F [19.4°C]			63°F [17.2°C]			
CFM [L/s]		2040 [963]	1850 [873]	1570 [741]	2040 [963]	1850 [873]	1570 [741]	2040 [963]	1850 [873]	1570 [741]	
DR ①		.21	.20	.18	.21	.20	.18	.21	.20	.18	
OUTDOOR DRY BULB TEMPERATURE °F [°C]	75 [23.9]	Total BTUH [kW] Sens BTUH [kW] Power	69.8 [20.46] 41.5 [12.16] 3.9	68.6 [20.10] 39.7 [11.63] 3.8	66.7 [19.55] 36.9 [10.81] 3.8	66.2 [19.40] 48.8 [14.30] 3.8	65.0 [19.05] 46.7 [13.69] 3.7	63.2 [18.52] 43.4 [12.72] 3.7	63.7 [18.67] 53.0 [15.53] 3.7	62.5 [18.32] 50.6 [14.83] 3.7	60.8 [17.82] 47.1 [13.80] 3.7
	80 [26.7]	Total BTUH [kW] Sens BTUH [kW] Power	69.5 [20.37] 40.4 [11.84] 4.1	68.2 [19.99] 38.6 [11.31] 4.0	66.4 [19.46] 35.9 [10.52] 4.0	65.8 [19.28] 47.8 [14.01] 4.0	64.6 [18.93] 45.6 [13.36] 4.0	62.9 [18.43] 42.4 [12.43] 3.9	63.3 [18.55] 51.9 [15.21] 3.9	62.2 [18.23] 49.6 [14.54] 3.9	60.5 [17.73] 46.1 [13.51] 3.9
	85 [29.4]	Total BTUH [kW] Sens BTUH [kW] Power	68.4 [20.05] 39.4 [11.55] 4.3	67.2 [19.69] 37.6 [11.02] 4.3	65.3 [19.14] 35.0 [10.26] 4.2	64.7 [18.96] 46.7 [13.69] 4.2	63.6 [18.64] 44.6 [13.07] 4.2	61.8 [18.11] 41.5 [12.16] 4.1	62.2 [18.23] 50.9 [14.92] 4.2	61.1 [17.91] 48.6 [14.24] 4.1	59.4 [17.41] 45.2 [13.25] 4.1
	90 [32.2]	Total BTUH [kW] Sens BTUH [kW] Power	66.7 [19.55] 38.3 [11.22] 4.5	65.5 [19.20] 36.6 [10.73] 4.5	63.8 [18.70] 34.0 [9.96] 4.4	63.1 [18.49] 45.7 [13.39] 4.4	61.9 [18.14] 43.6 [12.78] 4.4	60.2 [17.64] 40.6 [11.90] 4.3	60.5 [17.73] 49.8 [14.59] 4.4	59.5 [17.44] 47.6 [13.95] 4.3	57.8 [16.94] 44.3 [12.98] 4.3
	95 [35]	Total BTUH [kW] Sens BTUH [kW] Power	64.7 [18.96] 37.3 [10.93] 4.7	63.6 [18.64] 35.6 [10.43] 4.7	61.8 [18.11] 33.1 [9.70] 4.6	61.1 [17.91] 44.6 [13.07] 4.6	60.0 [17.58] 42.6 [12.48] 4.6	58.3 [17.09] 39.7 [11.63] 4.5	58.5 [17.14] 48.8 [14.30] 4.6	57.5 [16.85] 46.6 [13.66] 4.5	55.9 [16.38] 43.4 [12.72] 4.5
	100 [37.8]	Total BTUH [kW] Sens BTUH [kW] Power	62.6 [18.35] 36.3 [10.64] 4.9	61.5 [18.02] 34.7 [10.17] 4.9	59.8 [17.53] 32.3 [9.47] 4.8	58.9 [17.26] 43.6 [12.78] 4.8	57.9 [16.97] 41.7 [12.22] 4.8	56.3 [16.50] 38.8 [11.37] 4.7	56.4 [16.53] 47.8 [14.01] 4.8	55.4 [16.24] 45.7 [13.39] 4.8	53.9 [15.80] 42.5 [12.46] 4.7
	105 [40.6]	Total BTUH [kW] Sens BTUH [kW] Power	60.5 [17.73] 35.3 [10.35] 5.1	59.4 [17.41] 33.8 [9.91] 5.1	57.8 [16.94] 31.4 [9.20] 5.0	56.9 [16.68] 42.7 [12.51] 5.1	55.8 [16.35] 40.8 [11.96] 5.0	54.3 [15.91] 37.9 [11.11] 4.9	54.3 [15.91] 46.9 [13.75] 5.0	53.4 [15.65] 44.8 [13.13] 5.0	51.9 [15.21] 41.6 [12.19] 4.9
	110 [43.3]	Total BTUH [kW] Sens BTUH [kW] Power	58.7 [17.20] 34.4 [10.08] 5.3	57.7 [16.91] 32.9 [9.64] 5.3	56.1 [16.44] 30.6 [8.97] 5.2	55.1 [16.15] 41.8 [12.25] 5.3	54.1 [15.86] 39.9 [11.69] 5.2	52.6 [15.42] 37.1 [10.87] 5.2	52.5 [15.39] 45.9 [13.45] 5.2	51.6 [15.12] 43.9 [12.87] 5.2	50.2 [14.71] 40.8 [11.96] 5.1
	115 [46.1]	Total BTUH [kW] Sens BTUH [kW] Power	57.4 [16.82] 33.5 [9.82] 5.6	56.4 [16.53] 32.0 [9.38] 5.5	54.8 [16.06] 29.8 [8.73] 5.4	53.7 [15.74] 40.9 [11.99] 5.5	52.8 [15.47] 39.1 [11.46] 5.4	51.3 [15.03] 36.3 [10.64] 5.4	51.2 [15.01] 45.0 [13.19] 5.4	50.3 [14.74] 43.0 [12.60] 5.4	48.9 [14.33] 40.0 [11.72] 5.3

DR —Depression ratio  
dbE—Entering air dry bulb  
wbE—Entering air wet bulb

Total —Total capacity x 1000 BTUH  
Sens —Sensible capacity x 1000 BTUH  
Power—KW input

NOTES: ① When the entering air dry bulb is other than 80°F [27°C], adjust the sensible capacity from the table by adding  $[1.10 \times \text{CFM} \times (1 - \text{DR}) \times (\text{dbE} - 80)]$ .

[ ] Designates Metric Conversions

## INDOOR AIRFLOW PERFORMANCE—208 VOLTS

Nominal Cooling Capacity Tons [kW]	Motor Speed from Factory		Heating Input BTU/HR [kW]	Blower Size/ Motor HP [W] & # of Speeds	Motor Speed	CFM [L/s] Air Delivery/RPM/Watts—208 Volts							
	Cool	Heat				External Static Pressure—Inches W.C. [kPa]							
						0.1 [0.2]	0.2 [0.5]	0.3 [0.7]	0.4 [1.0]	0.5 [1.2]	0.6 [1.5]	0.7 [1.7]	
2.0 [7.03]	High	Low	40,000 [11.72]	9 x 7 1/4 HP [186] 2 Speed PSC Motor	Low	CFM [L/s]	675 [319]	657 [310]	634 [299]	602 [284]	560 [264]	505 [238]	435 [205]
						RPM	695	785	870	905	940	980	1020
	High	High	60,000 [17.58]	80,000 [23.45]	80,000 [23.45]	High	CFM [L/s]	898 [424]	861 [406]	822 [388]	777 [367]	721 [340]	651 [307]
2.5 [8.79]	Low	Low	All Inputs	10 x 9 1/2 HP [373] 3 Speed PSC Motor	Low	CFM [L/s]	1076 [508]	1059 [500]	1032 [490]	996 [470]	950 [448]	896 [423]	832 [393]
						RPM	730	775	820	865	905	940	975
	Med.	Low	40,000 [11.72] 60,000 [17.58] 80,000 [23.45] 100,000 [29.31]	80,000 [23.45]	80,000 [23.45]	Med.	CFM [L/s]	1222 [577]	1197 [565]	1179 [556]	1162 [548]	1137 [537]	1097 [518]
3.0 [10.55]	Med.	Low	All Inputs	10 x 9 1/2 HP [373] 3 Speed PSC Motor	Low	RPM	765	810	855	890	920	960	995
						Watts	423	415	407	397	386	370	351
	High	Low	100,000 [29.31]	80,000 [23.45]	80,000 [23.45]	High	CFM [L/s]	1514 [715]	1461 [670]	1415 [668]	1370 [647]	1322 [624]	1266 [597]
3.5 [12.31]	High	Low	All Inputs	10 x 9 1/2 HP [373] 3 Speed PSC Motor	Low	CFM [L/s]	895	930	965	985	1005	1025	1045
						RPM	895	930	965	985	1005	1025	1045
	High	Low	100,000 [29.31]	80,000 [23.45]	80,000 [23.45]	High	CFM [L/s]	1454 [686]	1433 [676]	1392 [657]	1354 [639]	1322 [624]	1283 [606]
4.0 [14.07]	High	Low	All Inputs	10 x 9 3/4 HP [559] 3 Speed X-13 Motor	Low	CFM [L/s]	923	946	976	1015	1044	1085	1126
						RPM	923	946	976	1015	1044	1085	1126
	High	Low	60,000 [17.58] 80,000 [23.45] 100,000 [29.31]	80,000 [23.45]	80,000 [23.45]	High	CFM [L/s]	1642 [775]	1621 [765]	1584 [748]	1542 [728]	1496 [706]	1451 [685]
5.0 [17.59]	High	Low	All Inputs	12 x 9 1 HP [746] 3 Speed X-13 Motor	Low	RPM	1006	1022	1064	1090	1114	1151	1160
						Watts	405	412	422	435	442	449	440
	High	Low	100,000 [29.31]	80,000 [23.45]	80,000 [23.45]	High	CFM [L/s]	1896 [895]	1863 [879]	1776 [838]	1694 [799]	1603 [757]	1528 [721]
5.0 [17.59]	High	Low	All Inputs	12 x 9 1 HP [746] 3 Speed X-13 Motor	Low	CFM [L/s]	1146	1147	1159	1171	1173	1180	1188
						RPM	1146	1147	1159	1171	1173	1180	1188
	High	Low	60,000 [17.58] 80,000 [23.45] 100,000 [29.31]	80,000 [23.45]	80,000 [23.45]	High	CFM [L/s]	624	614	583	554	522	497
5.0 [17.59]	High	Low	All Inputs	12 x 9 1 HP [746] 3 Speed X-13 Motor	Low	CFM [L/s]	1418 [669]	1386 [654]	1352 [638]	1307 [617]	1270 [599]	1221 [576]	1180 [557]
						RPM	774	794	829	860	892	922	955
	High	Low	100,000 [29.31]	80,000 [23.45]	80,000 [23.45]	High	CFM [L/s]	1858 [877]	1821 [859]	1782 [841]	1752 [827]	1714 [809]	1678 [792]
5.0 [17.59]	High	Low	All Inputs	12 x 9 1 HP [746] 3 Speed X-13 Motor	Low	RPM	944	968	994	1019	1041	1072	1089
						Watts	541	555	564	578	586	598	611
	High	Low	100,000 [29.31]	80,000 [23.45]	80,000 [23.45]	High	CFM [L/s]	2017 [952]	1985 [937]	1949 [920]	1909 [901]	1879 [887]	1843 [870]
5.0 [17.59]	High	Low	All Inputs	12 x 9 1 HP [746] 3 Speed X-13 Motor	Low	CFM [L/s]	1018	1033	1070	1076	1112	1124	1147
						RPM	1018	1033	1070	1076	1112	1124	1147
	High	Low	100,000 [29.31]	80,000 [23.45]	80,000 [23.45]	High	CFM [L/s]	690	701	711	723	735	741

[ ] Designates Metric Conversions

NOTE: On 4 and 5 ton models, cooling speed must be changed to Low Cool to achieve ARI Performance.

DOWN DISCHARGE PRESSURE DROP (ADD TO EXTERNAL STATIC PRESSURE)									
CFM [L/s]	600 [283]	800 [378]	1000 [472]	1200 [566]	1440 [661]	1600 [755]	1800 [850]	2000 [944]	2000 [944]
Pressure Drop—Includes W.C. [kPa]	.00	.02 [0.05]	.05 [0.12]	.07 [0.17]	.1 [0.25]	.12 [0.30]	.15 [0.37]	.17 [0.42]	.17 [0.42]
MINIMUM RECOMMENDED FILTER SIZES									
Nominal Cooling Capacity Tons [kW]	20 x 20 x 1 [508 x 508 x 25]		2.5 [8.79] – 4.0 [14.07]		5.0 [17.59]				
Minimum Filter Size—Inches [mm]	20 x 20 x 1 [508 x 508 x 25]		24 x 24 x 1 [610 x 610 x 25]		24 x 30 x 1 [610 x 762 x 1]				

# AIRFLOW PERFORMANCE—TZGE- SERIES

## INDOOR AIRFLOW PERFORMANCE—230 VOLTS

Nominal Cooling Capacity Tons [kW]	Motor Speed from Factory		Heating Input BTU/HR [kW]	Blower Size/ Motor HP [W] & # of Speeds	Motor Speed	CFM [L/s] Air Delivery/RPM/Watts—230 Volts						
	Cool	Heat				Side Discharge—Wet Coil						
						External Static Pressure—Inches W.C. [kPa]						
						0.1 [0.2]	0.2 [0.05]	0.3 [0.07]	0.4 [0.10]	0.5 [0.12]	0.6 [0.15]	0.7 [0.17]
2.0 [7.03]	High	Low	40,000 [11.72]	9 x 7 1/3 HP [249] 3 Speed PSC Motor	Low	CFM [L/s]	771 [364]	725 [342]	691 [326]	645 [304]	584 [276]	546 [258]
		Watts	825			910	950	985	1010	1030		
	High	High	60,000 [17.58] 80,000 [23.45]		CFM [L/s]	946 [446]	882 [416]	830 [392]	769 [363]	701 [331]	630 [297]	563 [263]
2.5 [8.79]	Low	Low	All Inputs	10 x 9 1/2 HP [373] 3 Speed PSC Motor	Low	CFM [L/s]	1206 [569]	1157 [546]	1128 [532]	1091 [515]	1044 [493]	983 [464]
		Watts				760	870	910	950	975	1000	
	Med.	Med.			40,000 [11.72] 60,000 [17.58] 80,000 [23.45] 100,000 [29.31]	CFM [L/s]	1411 [666]	1327 [626]	1285 [606]	1238 [584]	1183 [558]	1116 [527]
3.0 [10.55]	High	High	All Inputs	10 x 9 3/4 HP [559] 3 Speed X-13 Motor	High	CFM [L/s]	1641 [774]	1515 [715]	1455 [687]	1393 [657]	1329 [627]	1262 [596]
		Watts				498	481	464	447	431	391	
	Med.	Med.			60,000 [17.58] 80,000 [23.45] 100,000 [29.31]	CFM [L/s]	980	1000	1020	1035	1050	1065
3.5 [12.31]	High	High	All Inputs	10 x 9 3/4 HP [559] 3 Speed X-13 Motor	High	CFM [L/s]	1459 [689]	1409 [665]	1371 [647]	1337 [631]	1296 [612]	1258 [594]
		Watts				589	543	523	503	481	456	
	Med.	Med.			60,000 [17.58] 80,000 [23.45] 100,000 [29.31]	CFM [L/s]	931	993	1031	1058	1097	1133
4.0 [14.07]	High	High	All Inputs	10 x 9 3/4 HP [559] 3 Speed X-13 Motor	High	CFM [L/s]	1662 [784]	1607 [758]	1579 [745]	1538 [726]	1477 [697]	1392 [657]
		Watts				308	331	339	349	362	373	
	Med.	Med.			60,000 [17.58] 80,000 [23.45] 100,000 [29.31]	CFM [L/s]	1016	1037	1072	1098	1129	1156
5.0 [17.59]	High	High	All Inputs	12 x 9 1 HP [746] 3 Speed X-13 Motor	High	CFM [L/s]	1910 [901]	1798 [849]	1715 [809]	1621 [765]	1536 [725]	1422 [671]
		Watts				421	443	453	465	465	446	
	Med.	Med.			60,000 [17.58] 80,000 [23.45] 100,000 [29.31]	CFM [L/s]	1149	1160	1163	1169	1175	1187
5.0 [17.59]	High	High	All Inputs	12 x 9 1 HP [746] 3 Speed X-13 Motor	High	CFM [L/s]	1423 [672]	1357 [640]	1311 [619]	1277 [603]	1233 [582]	1192 [563]
		Watts				776	830	861	895	927	958	
	Med.	Med.			60,000 [17.58] 80,000 [23.45] 100,000 [29.31]	CFM [L/s]	272	292	300	315	326	337
5.0 [17.59]	High	High	All Inputs	12 x 9 1 HP [746] 3 Speed X-13 Motor	High	CFM [L/s]	1872 [883]	1808 [853]	1772 [836]	1743 [823]	1703 [804]	1670 [788]
		Watts				956	1010	1023	1057	1085	1110	
	Med.	Med.			60,000 [17.58] 80,000 [23.45] 100,000 [29.31]	CFM [L/s]	562	584	598	613	622	636
5.0 [17.59]	High	High	All Inputs	12 x 9 1 HP [746] 3 Speed X-13 Motor	High	CFM [L/s]	2046 [966]	1980 [934]	1942 [917]	1904 [899]	1867 [881]	1822 [860]
		Watts				1035	1079	1086	1114	1141	1171	
	Med.	Med.			60,000 [17.58] 80,000 [23.45] 100,000 [29.31]	CFM [L/s]	721	743	754	770	777	777

NOTE: On 4 and 5 ton models, cooling speed must be changed to Low Cool to achieve ARI Performance.

[ J ] Designates Metric Conversions



## INDOOR AIRFLOW PERFORMANCE—460 VOLTS

Nominal Cooling Capacity Tons [kW]	Motor Speed from Factory		Heating Input BTU/HR [kW]	Blower Size/ Motor HP [W] & # of Speeds	Motor Speed	CFM [L/s] Air Delivery/RPM/Watts—460 Volts							
	Cool	Heat				External Static Pressure—Inches W.C. [kPa]							
						0.1 [0.02]	0.2 [0.05]	0.3 [0.07]	0.4 [1.10]	0.5 [1.42]	0.6 [1.15]	0.7 [1.17]	
3.0 [10.55]	Med	Low	60,000 [17.58] 80,000 [23.45] 100,000 [29.31]	10 x 9 1/2 HP [373] 3 Speed PSC Motor	Low	CFM [L/s]	1206 [569]	1182 [558]	1157 [546]	1128 [532]	1091 [515]	1044 [493]	983 [464]
						RPM	760	815	870	910	950	975	1000
						Watts	419	406	394	381	368	353	334
	High	Med				CFM [L/s]	1411 [666]	1368 [646]	1327 [626]	1285 [606]	1238 [584]	1183 [558]	1116 [527]
						RPM	865	900	935	970	1000	1020	1035
						Watts	498	498	481	464	447	431	391
4.0 [14.07]	High	Low	80,000 [23.45] 100,000 [29.31]	10 x 9 3/4 HP [559] 3 Speed PSC Motor	Med.	CFM [L/s]	1641 [774]	1577 [744]	1515 [715]	1455 [687]	1393 [657]	1329 [627]	1262 [596]
						RPM	980	1000	1020	1035	1050	1065	1080
						Watts	589	565	543	523	503	481	456
	High	Med.				CFM [L/s]	1412 [666]	1395 [658]	1371 [647]	1339 [632]	1296 [612]	1242 [586]	1176 [555]
						RPM	859	905	951	981	1011	1034	1057
						Watts	557	530	506	483	461	437	409
5.0 [17.59]	High	Low	100,000 [29.31]	10 x 9 3/4 HP [559] 3 Speed PSC Motor	High	CFM [L/s]	1793 [846]	1731 [817]	1665 [786]	1594 [752]	1519 [717]	1440 [680]	1356 [640]
						RPM	1053	1067	1080	1091	1101	1110	1119
						Watts	667	637	606	574	543	512	483
	High	Med.				CFM [L/s]	1889 [892]	1826 [862]	1753 [827]	1672 [789]	1586 [749]	1499 [707]	1413 [667]
						RPM	1110	1117	1124	1129	1133	1139	1144
						Watts	736	715	683	646	608	574	551
5.0 [17.59]	High	Low	100,000 [29.31]	10 x 9 3/4 HP [559] 3 Speed PSC Motor	Low	CFM [L/s]	1388 [655]	1380 [651]	1371 [647]	1351 [638]	1325 [625]	1294 [611]	1225 [578]
						RPM	741	794	858	904	947	985	1021
						Watts	595	583	564	539	510	484	453
	High	Med.				CFM [L/s]	1943 [917]	1895 [894]	1840 [868]	1774 [837]	1700 [802]	1618 [764]	1525 [720]
						RPM	995	1024	1040	1057	1041	1087	1100
						Watts	785	751	717	674	643	599	561
High	Med.	CFM [L/s]	2150 [1015]	2072 [978]	1991 [940]	1917 [905]	1820 [859]	1722 [813]	1627 [768]				
		RPM	1080	1093	1100	1106	1115	1123	1130				
		Watts	889	884	796	768	725	687	651				

NOTE: Cooling speed must be changed to medium to achieve ARI performance (4 & 5 ton).

[ ] Designates Metric Conversions

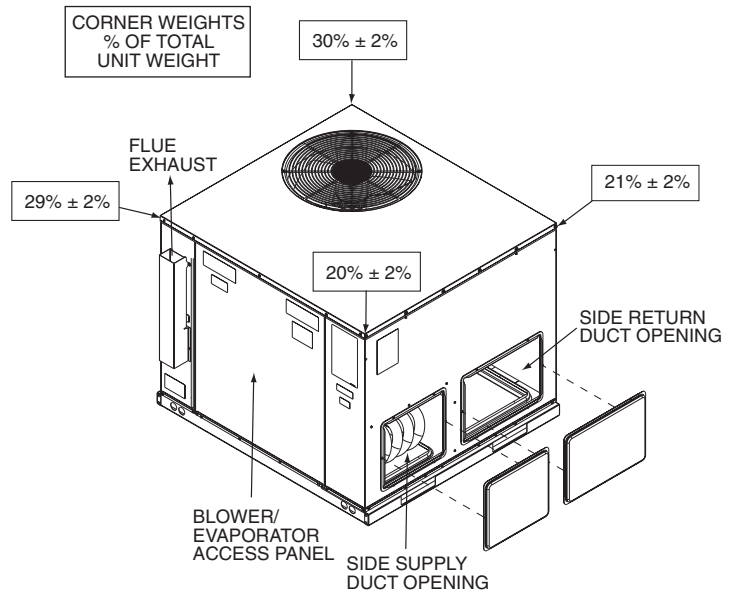
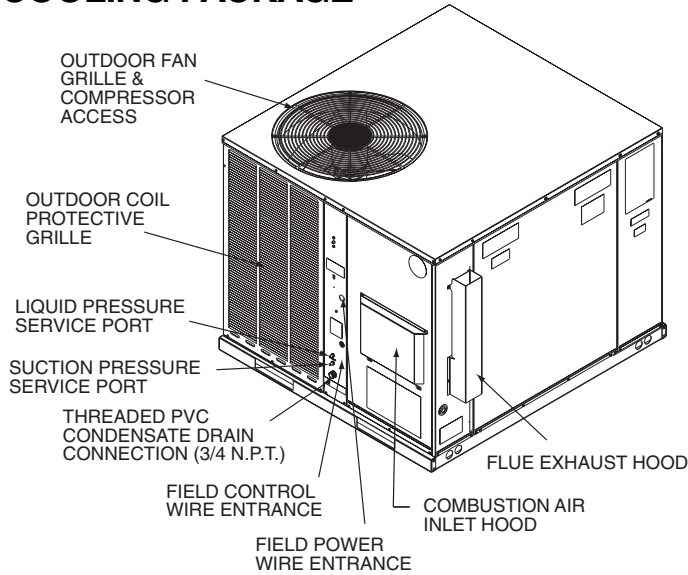
# ELECTRICAL DATA—TZGE- SERIES

ELECTRICAL DATA – TZGE- SERIES														
		324JA	330JA	336CA	336DA	336JA	342CA	342JA	348CA	348DA	348JA	360CA	360DA	360JA
Unit Information	Unit Operating Voltage Range	187-253	187-253	187-253	414-506	187-253	187-253	187-253	187-253	414-506	187-253	187-253	414-506	187-253
	Minimum Circuit Ampacity	16/16	22/22	16/16	10	22/22	18/18	26/26	20/20	11	30/30	27/27	12	37/37
	Minimum Overcurrent Protection Device Size	20/20	25/25	20/20	15	30/30	20/20	30/30	25/25	15	35/35	35/35	15	45/45
	Maximum Overcurrent Protection Device Size	25/25	35/35	25/25	15	35/35	25/25	40/40	30/30	15	50/50	40/40	15	60/60
Compressor Motor	No.	1	1	1	1	1	1	1	1	1	1	1	1	1
	Volts	208/230	208/230	208/230	460	208/230	208/230	208/230	208/230	460	208/230	208/230	460	208/230
	Phase	1	1	3	3	1	3	1	3	3	1	3	3	1
	HP	2 1/6	2 2/3	3 1/3	3 1/3	3 1/3	3 1/2	3 1/2	4	4	4	5	5	5
	RPM	3450	3450	3450	3450	3450	3450	3450	3450	3450	3450	3450	3450	3450
	Amps (RLA)	10.4/10.4	14.1/14.1	9.6/9.6	5.8	14.4/14.4	10.3/10.3	16.5/16.5	12.2/12.2	6.1	20.2/20.2	17.3/17.3	6.7	25/25
	Amps (LRA)	54/54	68/68	73/73	35	77/77	77/77	95/95	80.8/80.8	41	137/137	123/123	49.5	148/148
Condenser Motor	No.	1	1	1	1	1	1	1	1	1	1	1	1	1
	Volts	208/230	208/230	208/230	460	208/230	208/230	208/230	208/230	460	208/230	208/230	460	208/230
	Phase	1	1	1	1	1	1	1	1	1	1	1	1	1
	HP	1/3	1/3	1/3	1/3	1/3	1/3	1/3	1/3	1/3	1/3	1/3	1/3	1/3
	Amps (FLA)	1.3	1.3	1.3	0.6	1.3	2	2	2	1	2	2	1	2
	Amps (LRA)	2.3	2.3	2.3	1.1	2.3	3.9	3.9	3.9	2.2	3.9	3.9	2.2	3.9
Evaporator Fan	No.	1	1	1	1	1	1	1	1	1	1	1	1	1
	Volts	208/230	208/230	208/230	460	208/230	208/230	208/230	208/230	460	208/230	208/230	460	208/230
	Phase	1	1	1	1	1	1	1	1	1	1	1	1	1
	HP	1/4	1/2	1/2	1/2	1/2	1/2	1/2	3/4	3/4	3/4	1	3/4	1
	Amps (FLA)	1.3	2.4	2.4	1.2	2.4	2.4	2.4	2.7	2.3	2.7	2.8	2.3	2.8
	Amps (LRA)	2.3	5.1	5.1	2.2	5.1	5.1	5.1	0	5	0	0	5	0

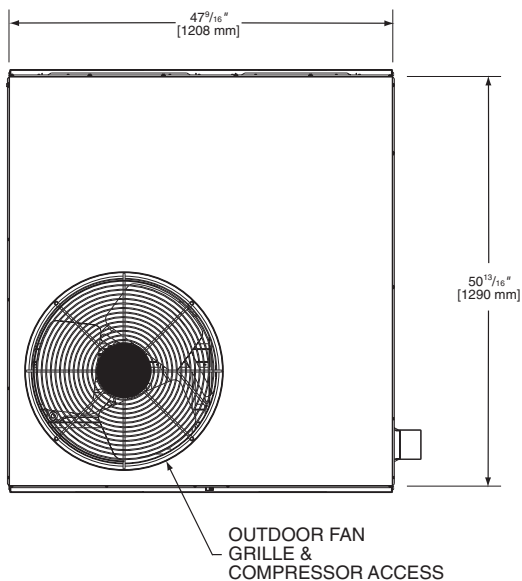
1. Horsepower Per Compressor.

2. Amp Draw Per Motor. Multiply Value By Number of Motors to Determine Total Amps.

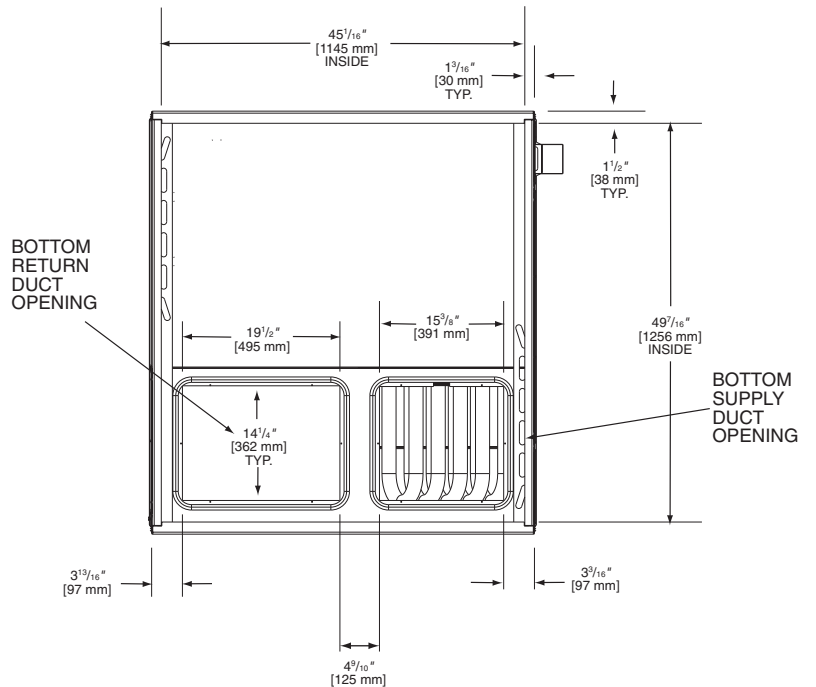
## UNIT DIMENSIONS GAS HEAT/ELECTRIC COOLING PACKAGE



### TOP VIEW



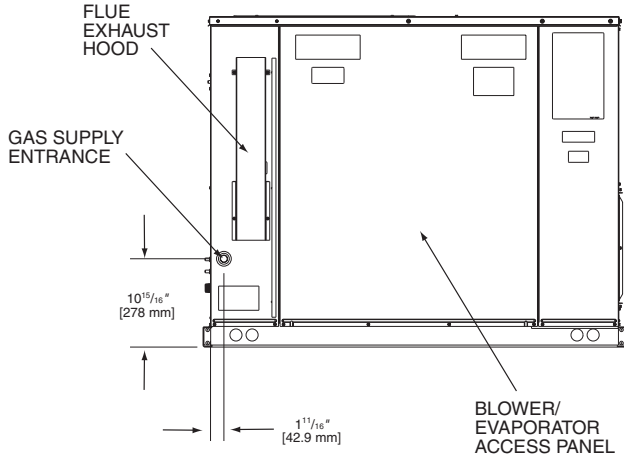
### BOTTOM VIEW



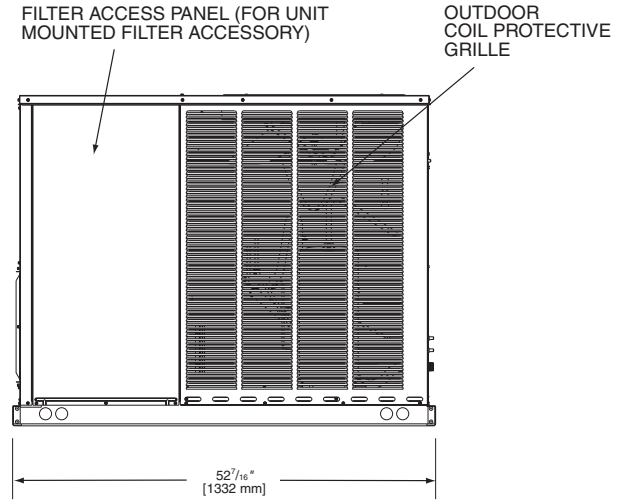
[ ] Designates Metric Conversions

# UNIT DIMENSIONS—TZGE- SERIES

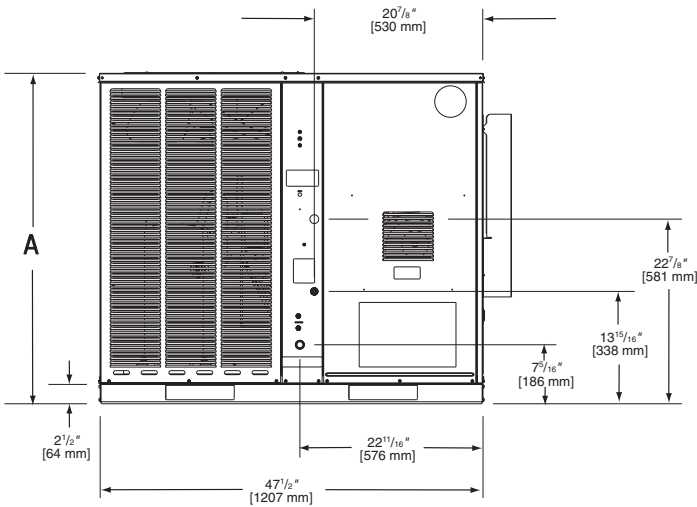
## SIDE VIEW



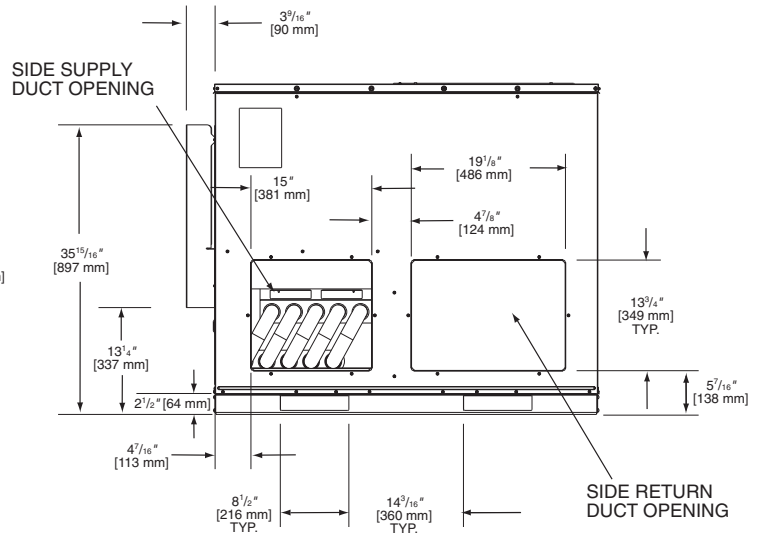
## SIDE VIEW



## FRONT VIEW



## BACK VIEW

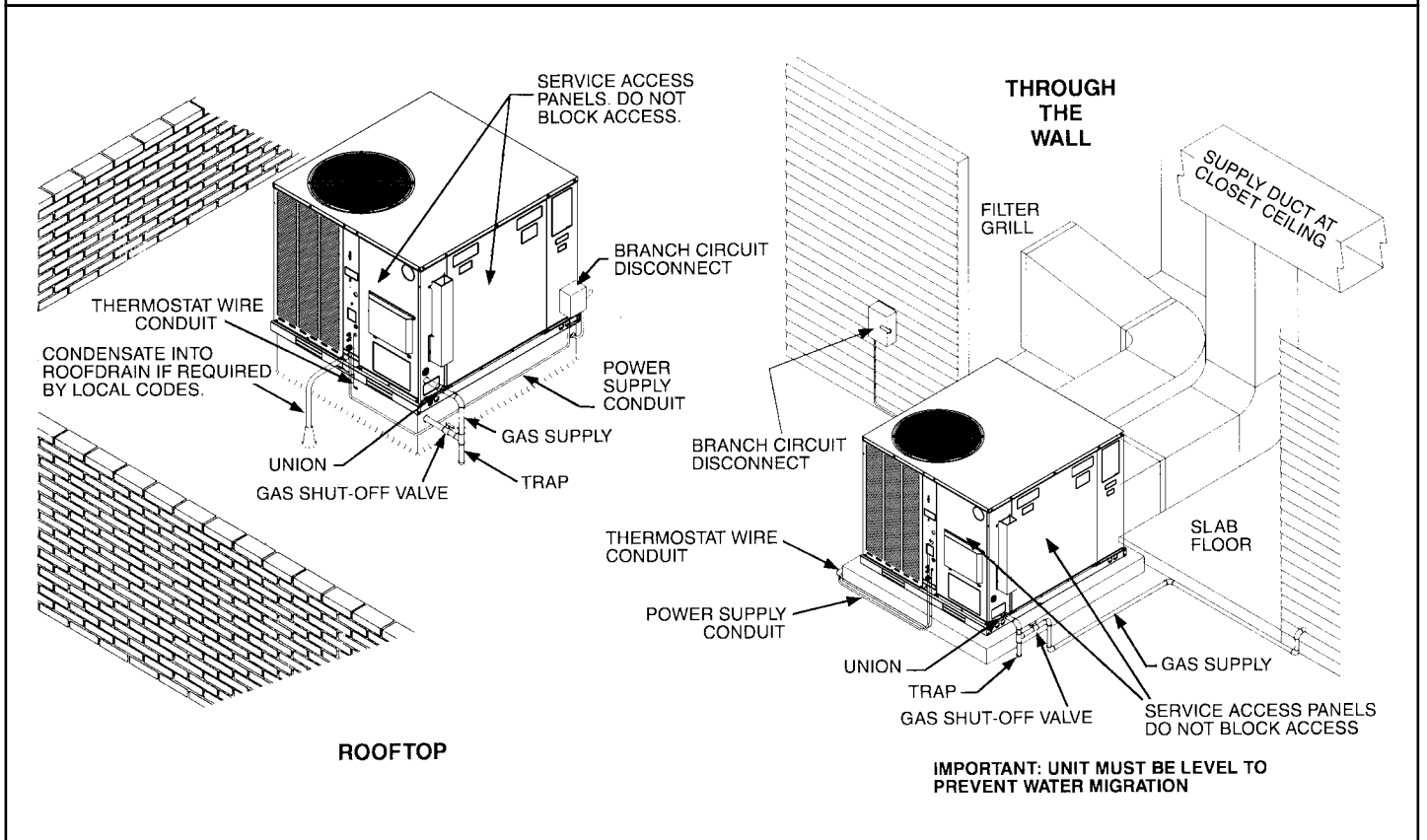
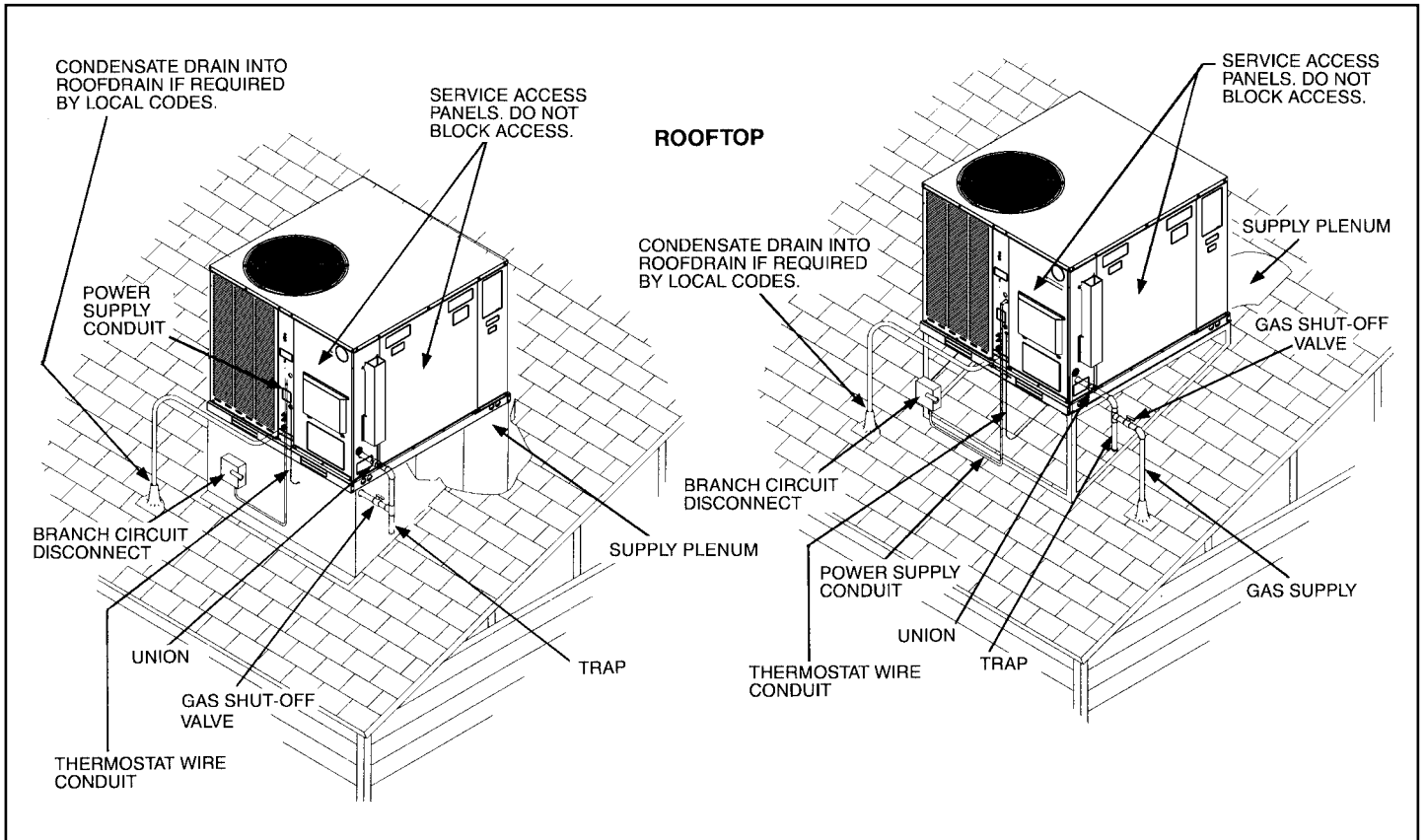


SHOWN WITH DUCT COVERS REMOVED.

**IMPORTANT:**  
INSTALLATION MUST NOT INTERFERE WITH DRAINAGE OPENINGS IN BOTTOM OF UNIT UNDER OUTDOOR COIL.

[ ] Designates Metric Conversions

Model #	"A" Height
024, 030, 036	$35^{15}/16"$
042, 048, 060	41"



# ACCESSORIES

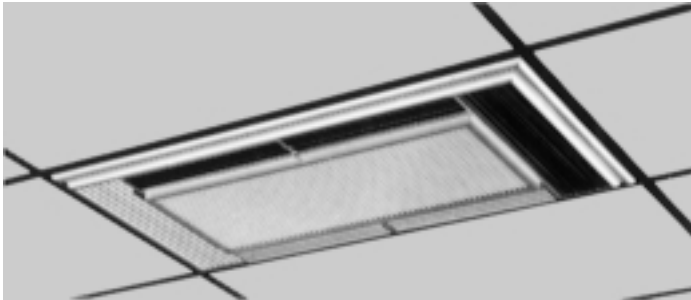
## ACCESSORY EQUIPMENT

Accessory Description	Model Application	Accessory Model No.
Roofcurbs	TZGE-	RXSG-AAA08 (8" [203 mm] Height) RXSG-AAA14 (14" [356 mm] Height) RXSG-AAA24 (24" [610 mm] Height)
Supply & Return Diffusers	TZGE-	RXRN-BD15
Economizers (Downflow ONLY)	TZGE-	RXRE-CAA30 (3 Position) RXRD-CAM10 (Fully Modulating)
Economizers (Sideflow ONLY)	TZGE-	RXRE-CCA30 (3 Position) RXRD-CCM10 (Fully Modulating)
Fresh Air Damper	TZGE-	RXRF-FAB1 (Motorized-35%) RXRF-FAA1 (Fixed-35%)
Rectangular to Round Transition (Downflow)	TZGE-	RXMC-CA02 (16" [406 mm] Ducts) RXMC-CA03 (18" [457 mm] Ducts)
Filter Kit	TZGE-	RXRY-B01
Low Ambient Control	TZGE-	RXRZ-A18
High Pressure Control	TZGE-	RXAB-A02
Low Pressure Control	TZGE-	RXAC-A02
Sideflow Rectangular to Round Transition	TZGE-	RXMC-BA01
LP Conversion Kits	TZGE-	RXGJ-EP84W (White-Rodgers Gas Valve) RXGJ-EP85H (Honeywell Gas Valve)
Canadian High Altitude Kit (for Natural Gas only*)	TZGE-	RXRX-AH01

\*If a particular unit is to be converted to operate on LP (propane) for elevations above 2000 ft. [609.6 m] in Canada, the existing Natural Gas to LP Conversion Kits for the subject models already contain the necessary orifices and instructions to de-rate the input for 2000-4500 ft. [609.6-1371.6 m] Canadian applications.

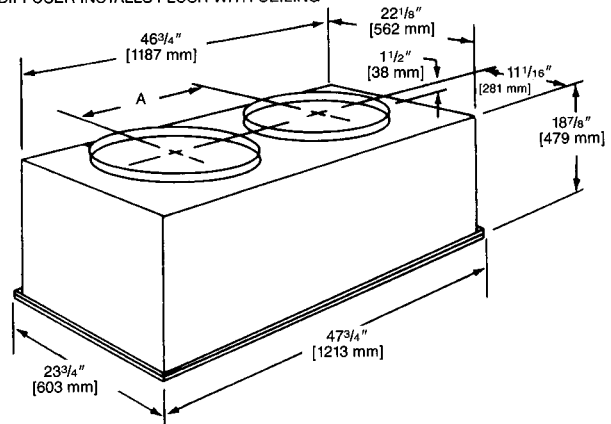
[ ] Designates Metric Conversions

## COMMON SUPPLY/RETURN CONCENTRIC AIR DIFFUSER



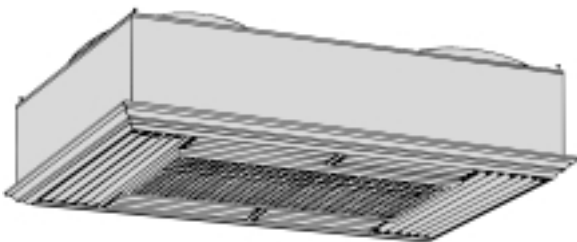
Model No. RXRN-	Diameter Inches [mm]	Shipping Wt. Lbs. [kg]	Dimension A Inches [mm]
BD15	16 [406]	90 [40.82]	20 1/2 [521]

DIFFUSER INSTALLS FLUSH WITH CEILING



**NOTE:** The location of the combination supply and return diffuser should not exceed 10 feet [3.05 m] above the floor level for units @ 1000 CFM [472 L/s] or less and 12 [3.66 m] to 14 feet [4.27 m] above the floor level for units with CFM greater than 1000 [472 L/s]. If the diffuser is installed with a greater distance than recommended above, the supply air may become stratified above the required comfort area causing uncomfortable conditions.

## SUPPLY/RETURN DIFFUSER



Designed to convert a side by side or an over and under arrangement into a concentric distribution of air. The diffuser is flush mounted, completely insulated, assembled, and internally baffled to provide four way supply air distribution with a center return. To make the assembly complete and ready to fit into a 2' [0.61 m] x 4' [1.22 m] suspended ceiling grid, the diffuser includes adjustable supply louvers, hanging rings, anti-sweat gasket, and round flanges for use with flexible ducts.

**AIRFLOW/PRESSURE DROP  
INFORMATION (INCHES W.C. [kPa])**

Accessory	Approximate CFM [L/s]-Supply Air			
	1300 [614]	1575 [743]	1800 [850]	2200 [1038]
Plenum & Supply/Return Duct	.07 [.017]	.10 [.024]	.12 [.030]	.17 [.042]
Diffuser	.09 [.022]	.13 [.032]	.16 [.040]	.24 [.060]
Economizer	.06 [.015]	.09 [.022]	.11 [.027]	.17 [.042]

**SUPPLY AIR/PERFORMANCE**

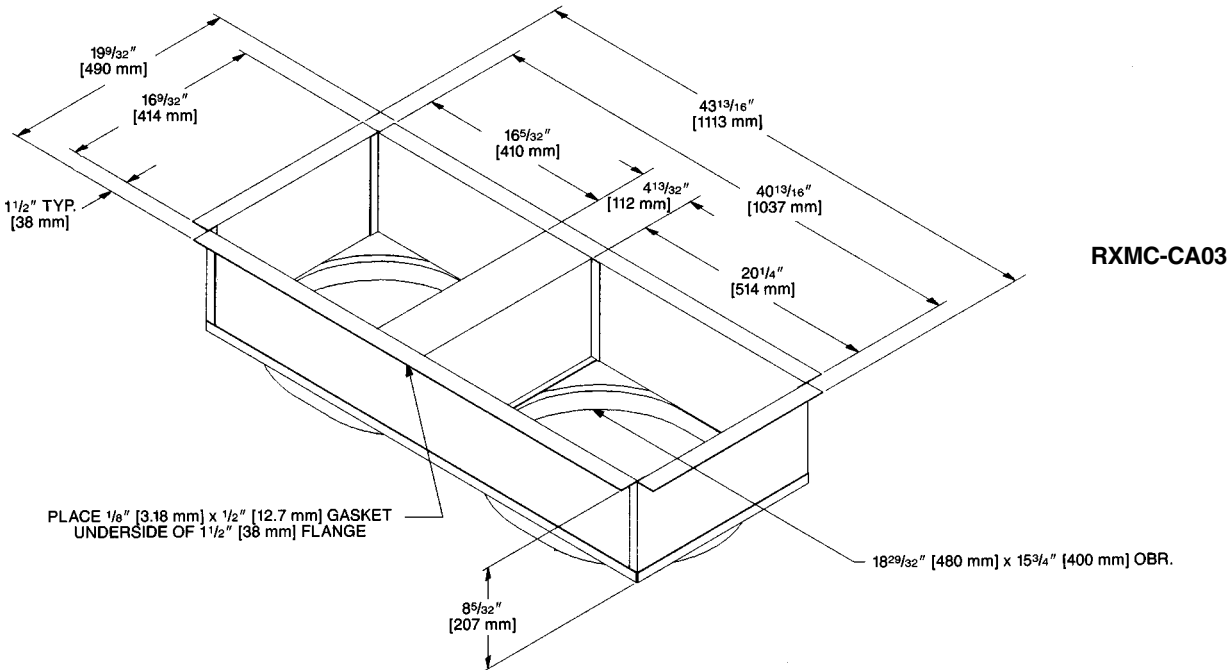
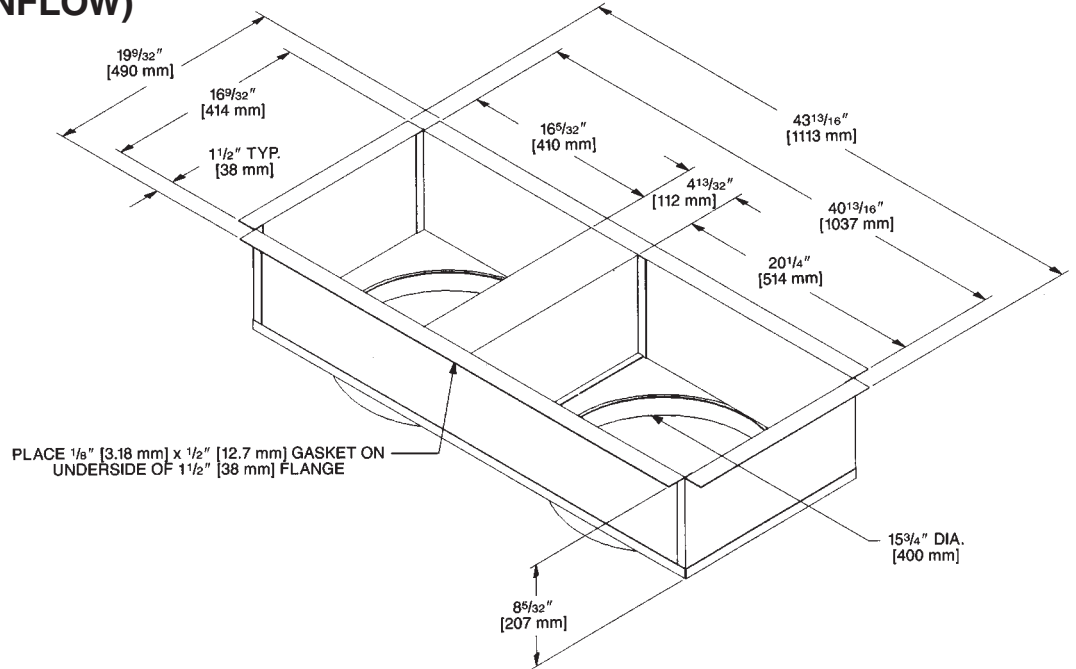
Diffuser Airflow CFM [L/s]	Range of Throw Ft. [m]
800 [378]-1200 [566]	14 [4.27]-16 [4.88]
1600 [755]-2000 [944]	18 [5.49]-28 [8.53]

[ ] Designates Metric Conversions

# ACCESSORIES

## DUCT ADAPTERS RECTANGULAR TO ROUND TRANSITIONS (DOWNFLOW)

**RXMC-CA02**



[ ] Designates Metric Conversions



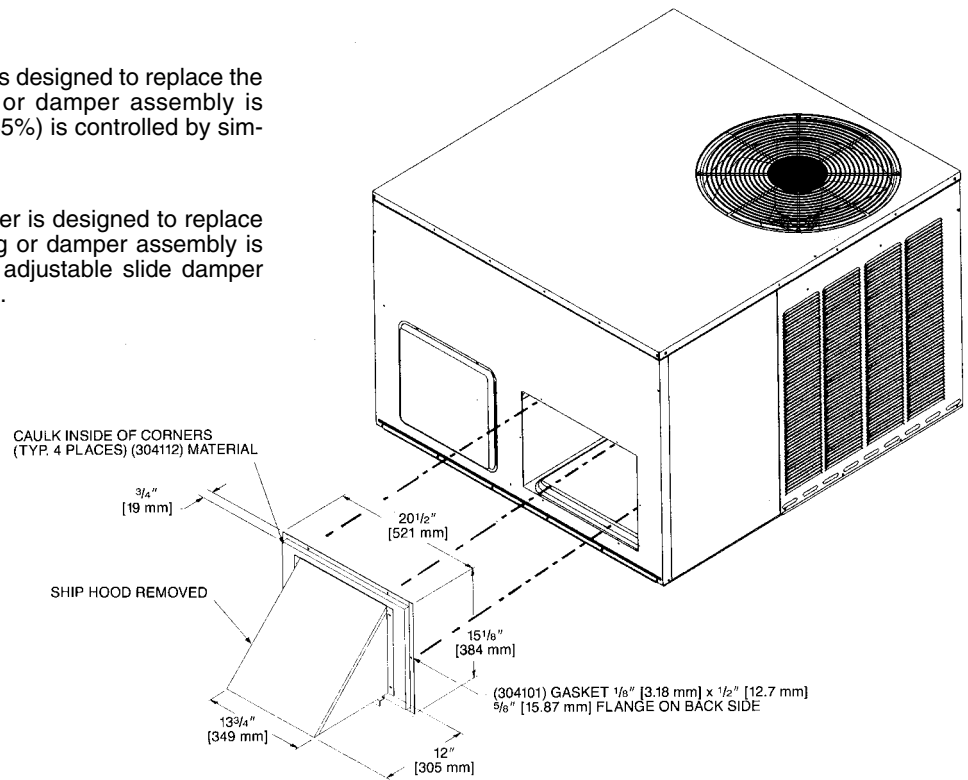
**FRESH AIR DAMPER FOR USE ON TZGE- SERIES**

**RXRF-FAA1 (Fixed - 0-35%)**

The 0-35% manual outside Air Damper is designed to replace the unit return air duct cover. No drilling or damper assembly is required. The amount of outside air (0-35%) is controlled by simply adjusting the side damper.

**RXRF-FAB1 (Motorized - 0-35%)**

The 0-35% motorized outside Air Damper is designed to replace the unit return air duct cover. No drilling or damper assembly is required. The control motor opens the adjustable slide damper when the unit blower motor is energized.



[ ] Designates Metric Conversions

# ACCESSORIES

## ECONOMIZERS

### RXRE-CAA30 (3 Position) and RXRD-CAM10 (Fully Modulating) for TZGE- Series

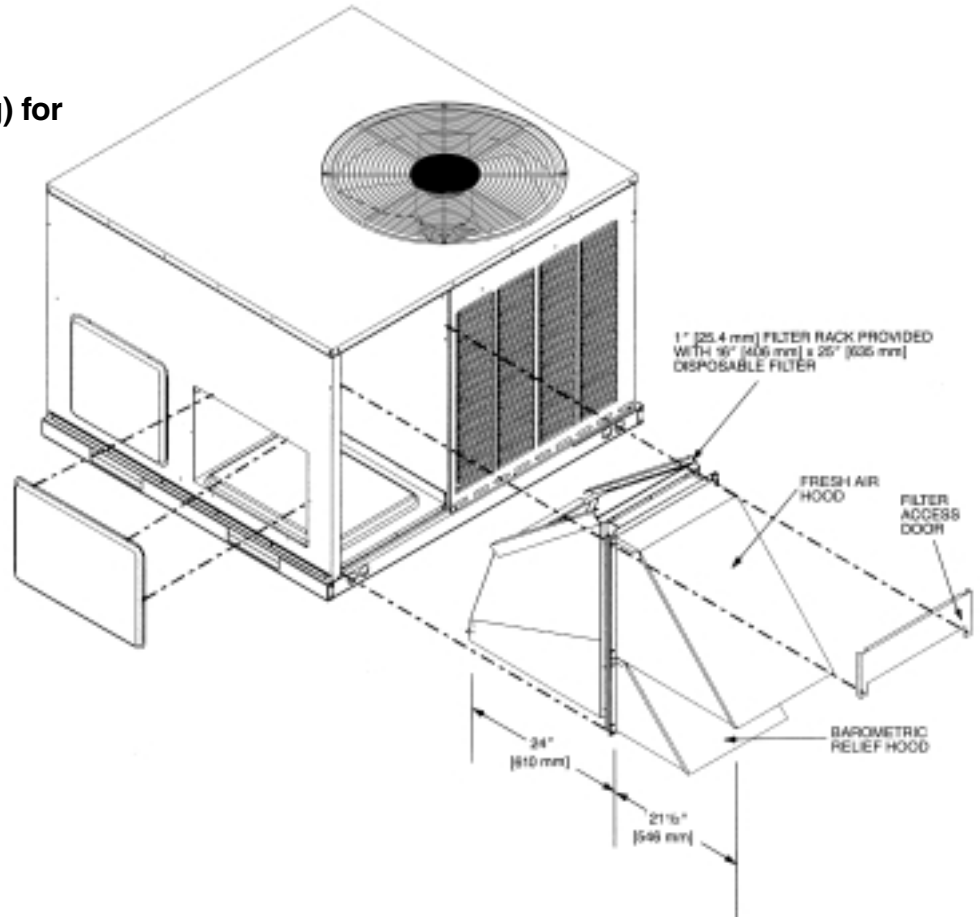
#### RXRE-CAA30 (3 Position)

Provided with enthalpy control, and mixed air sensor. Settings include fully open, fully closed and adjustable mid point.

#### RXRD-CAM10 (Fully Modulating)

Provided with enthalpy control, mixed air sensor and minimum position potentiometer for proportioning (modulating) the amount of fresh air.

**NOTE:** See economizer installation instructions for correct filter access door.



## ECONOMIZERS

### RXRD-CCM10 (Fully Modulating) and RXRE-CCA30 (3 Position) for TZGE- Series Horizontal Application

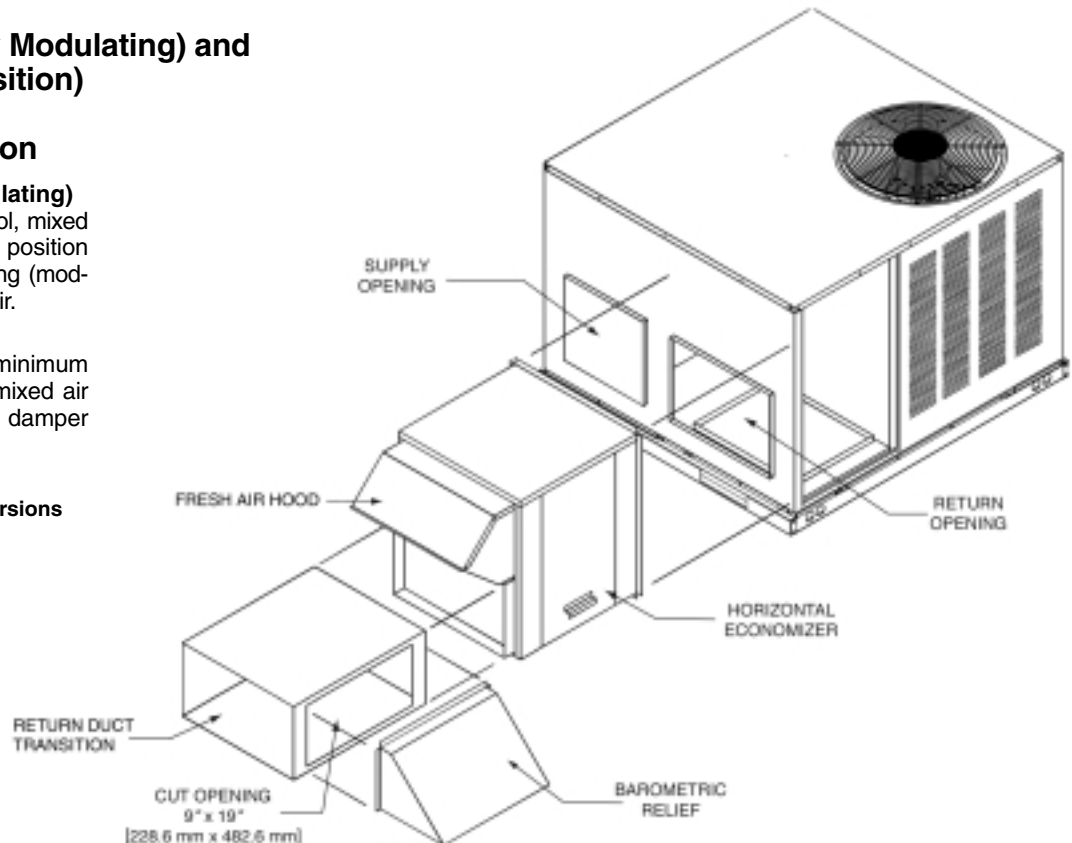
#### RXRD-CCM10 (Fully Modulating)

Provided with enthalpy control, mixed air sensor and minimum position potentiometer for proportioning (modulating) the amount of fresh air.

#### RXRE-CCA30 (3 Position)

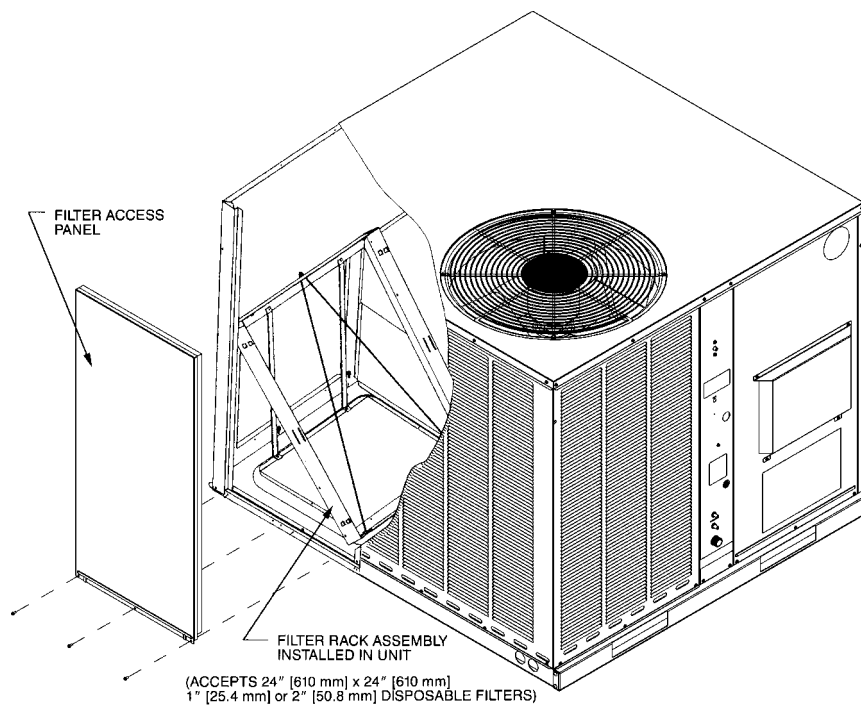
Has outdoor air sensor, minimum position potentiometer and mixed air sensor to provide three damper positions.

[ ] Designates Metric Conversions



## FILTER KIT INSTALLATION RXRY-B01

For use in either  
vertical or horizontal  
discharge.



Model No.	CFM [L/s]		
	Minimum Airflow	Nominal Airflow	Maximum Airflow
TZGE-	510 [241]	600 [283]	660 [311]
TZGE-	680 [321]	800 [378]	880 [415]
TZGE-	850 [401]	1000 [472]	1100 [519]
TZGE-	1020 [481]	1200 [566]	1320 [623]
TZGE-	1190 [562]	1400 [661]	1540 [727]
TZGE-	1275 [602]	1500 [708]	1650 [779]

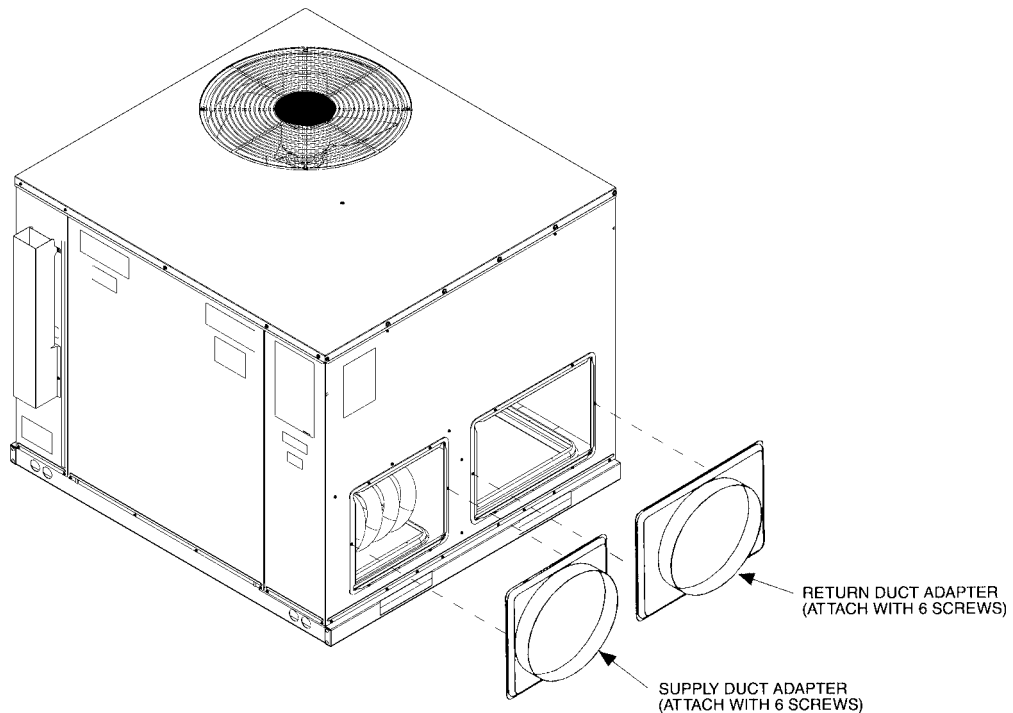
[ ] Designates Metric Conversions

CFM [L/s]	Airflow Pressure Drop, Inches W.C. [kPa]	
	1" Filter	2" Filter
500 [236]	.02 [.0050]	.03 [.0075]
600 [283]	.02 [.0050]	.03 [.0075]
700 [330]	.03 [.0075]	.04 [.0010]
800 [378]	.04 [.0010]	.05 [.0124]
900 [425]	.05 [.0124]	.06 [.0149]
1000 [472]	.07 [.0174]	.08 [.0199]
1100 [519]	.08 [.0199]	.09 [.0224]
1200 [566]	.10 [.0249]	.12 [.0299]
1300 [614]	.13 [.0324]	.15 [.0373]
1400 [661]	.16 [.0398]	.19 [.0473]
1500 [708]	.19 [.0473]	.21 [.0523]
1600 [755]	.20 [.0498]	.23 [.0572]
1700 [802]	.21 [.0523]	.24 [.0598]
1800 [850]	.22 [.0548]	.25 [.0623]
1900 [897]	.24 [.0598]	.27 [.0672]
2000 [944]	.26 [.0647]	.29 [.0722]

# ACCESSORIES

## DUCT ADAPTER SIDEFLOW SQUARE TO ROUND TRANSITION RXMC-BA01

Adapts the side rectangular supply and return openings to 14" [356 mm] diameter round openings. Adapters provided with same finish as unit and also provided with thermal insulation.

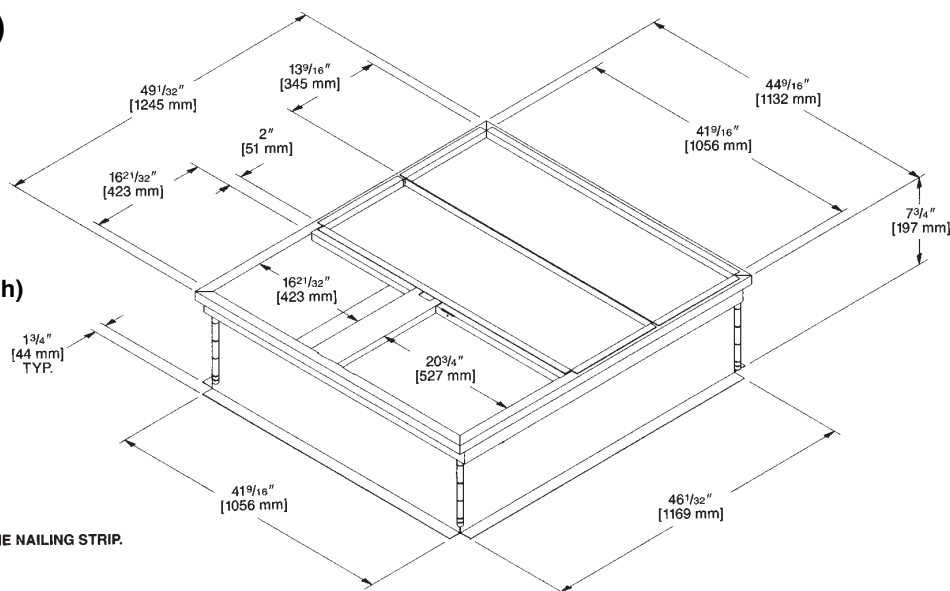


[ ] Designates Metric Conversions

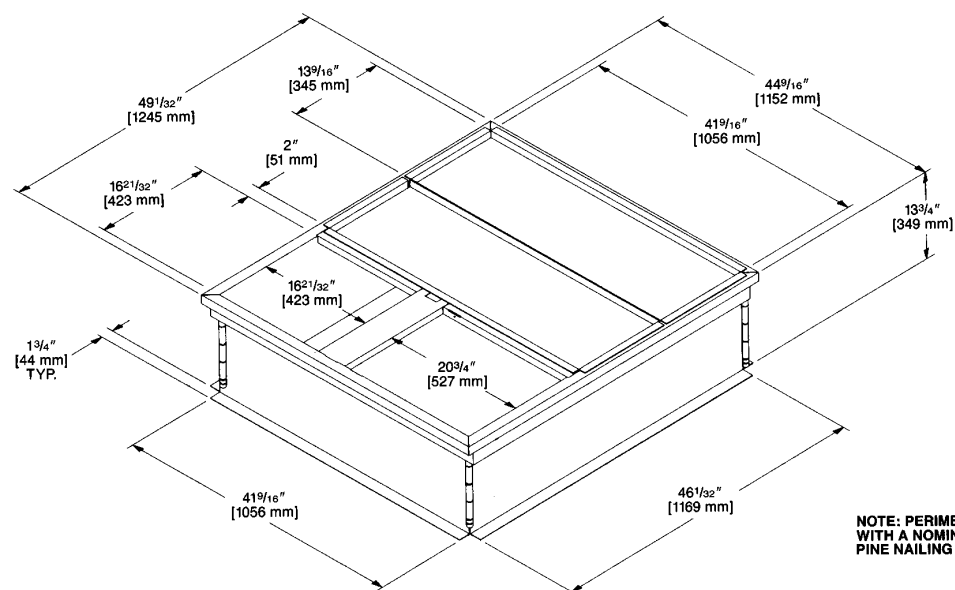
## ROOFCURB (Full Perimeter) RXSG-AAA08, RXSG-AAA14 and RXSG-AAA24 for TZGE- Series

Hinged corners make for  
fast, easy set-up.

**RXSG-AAA08  
(8" [203 mm] High)**

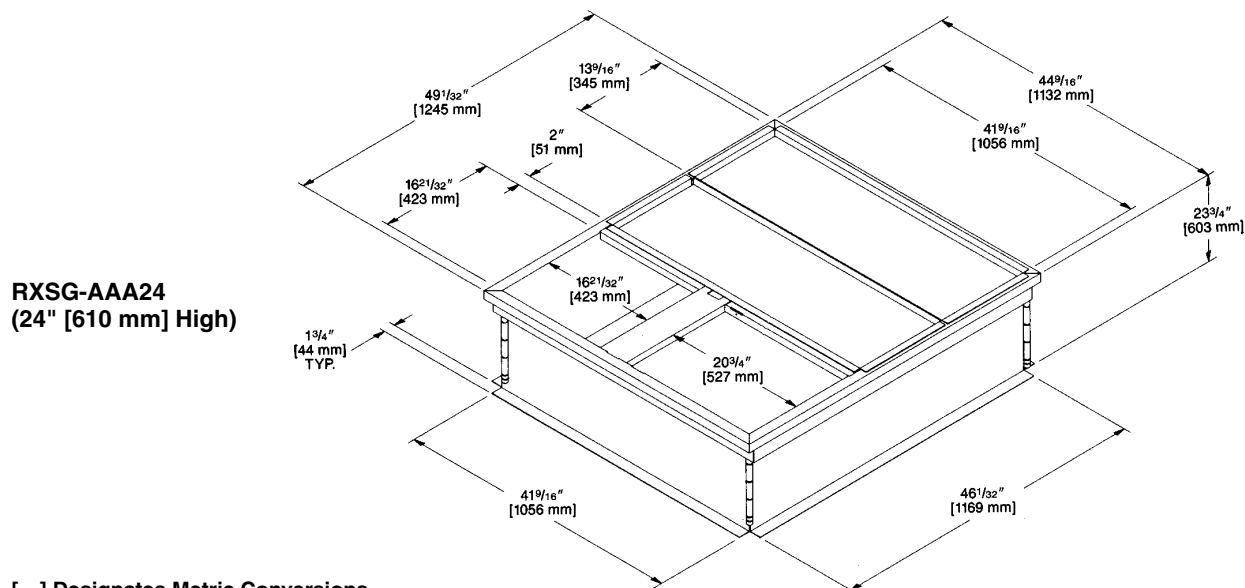


NOTE: PERIMETER OF ROOFCURB IS SUPPLIED  
WITH A NOMINAL 1" [25.4 mm] x 4" [102 mm] PINE NAILING STRIP.



**RXSG-AAA14  
(14" [356 mm] High)**

NOTE: PERIMETER OF ROOFCURB IS SUPPLIED  
WITH A NOMINAL 1" [25.4 mm] x 4" [102 mm] PINE NAILING STRIP.

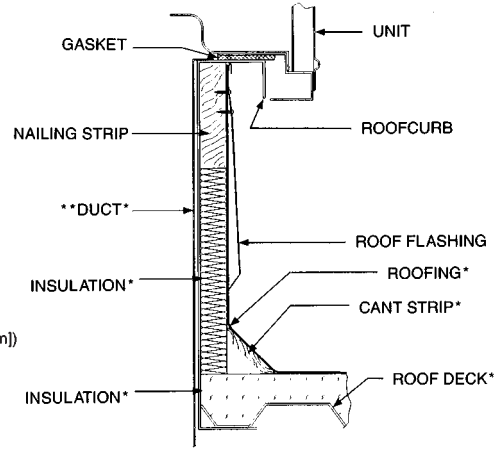
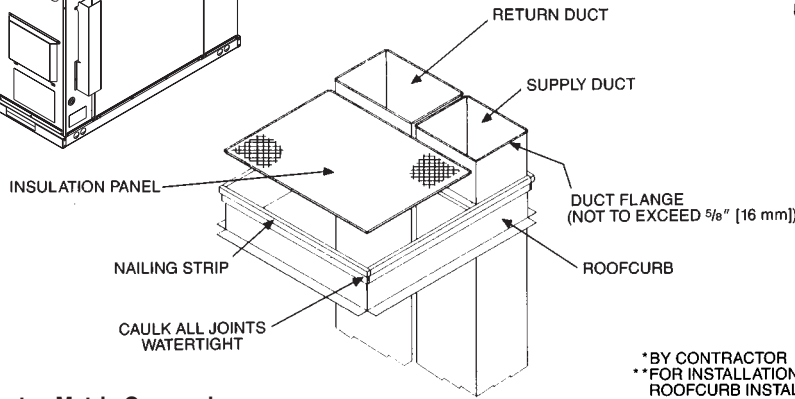
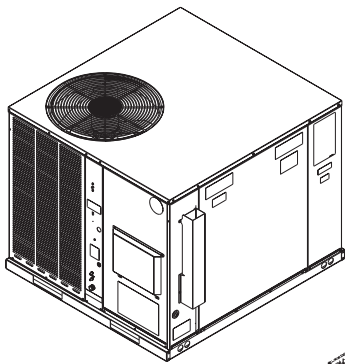


**RXSG-AAA24  
(24" [610 mm] High)**

[ ] Designates Metric Conversions

# ACCESSORIES

## PACKAGE AIR CONDITIONERS & PACKAGE GAS/ELECTRIC UNITS ROOFCURB INSTALLATION (Full Perimeter)

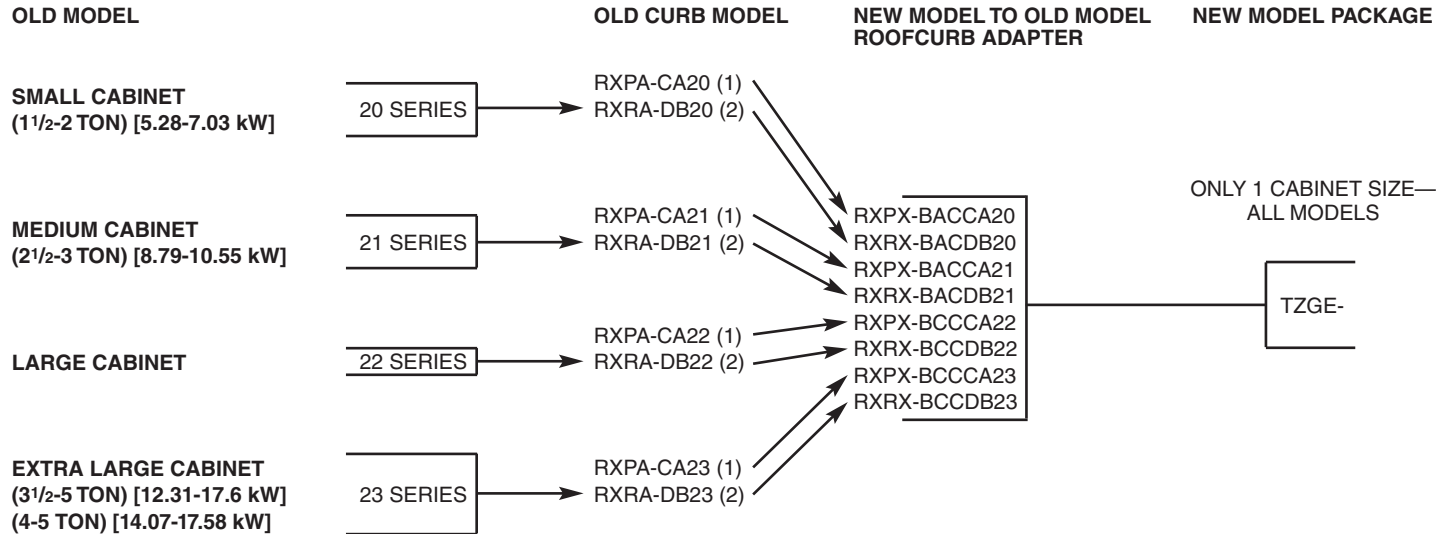


\*BY CONTRACTOR  
\*\*FOR INSTALLATION OF DUCT AS SHOWN, USE RECOMMENDED DUCT SIZES FROM ROOFCURB INSTALLATION INSTRUCTIONS. FOR DUCT FLANGE ATTACHMENT TO UNIT, SEE UNIT INSTALLATION INSTRUCTIONS FOR RECOMMENDED DUCT SIZES.

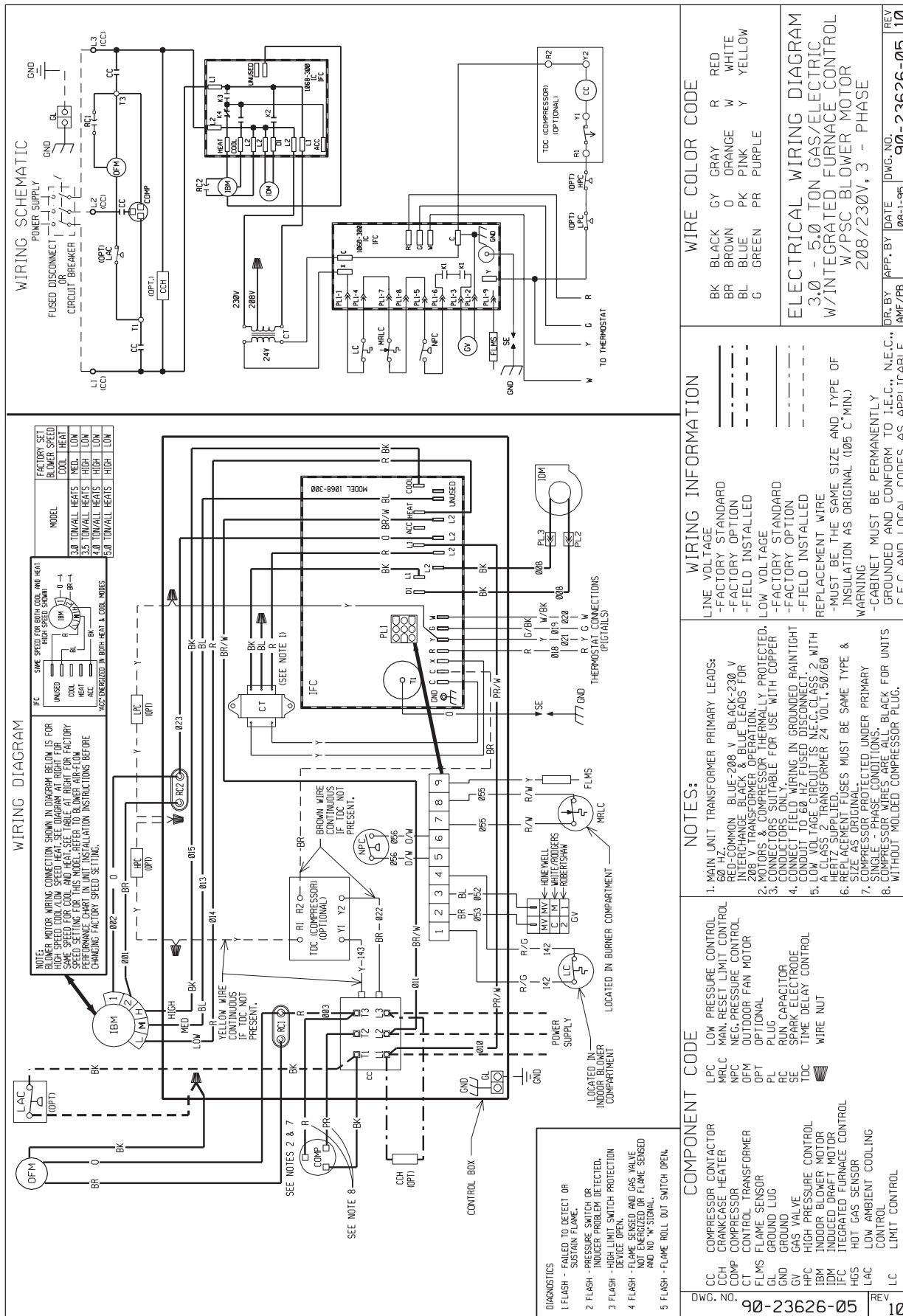
[ ] Designates Metric Conversions

## ROOFCURB ADAPTERS

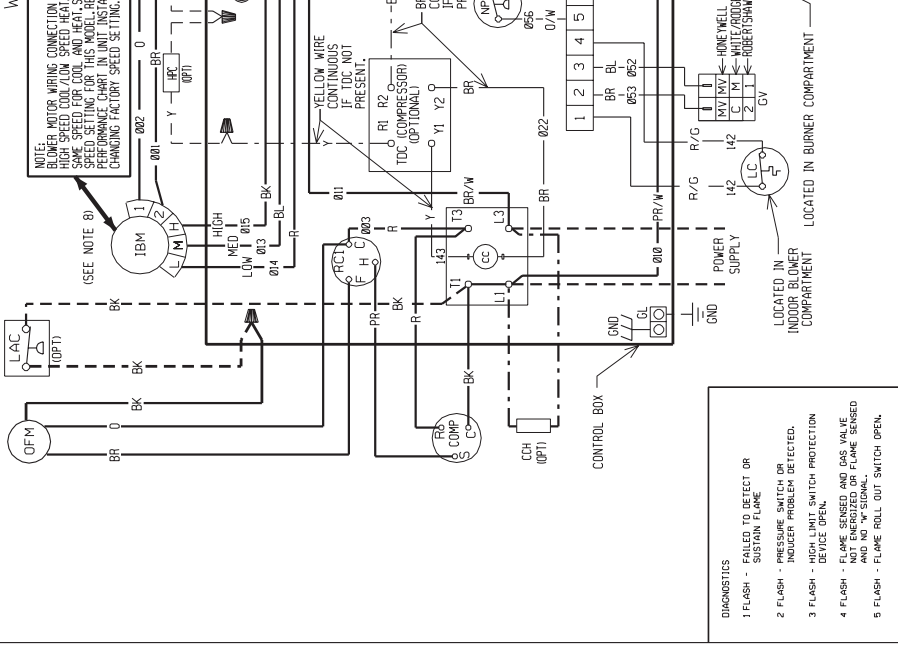
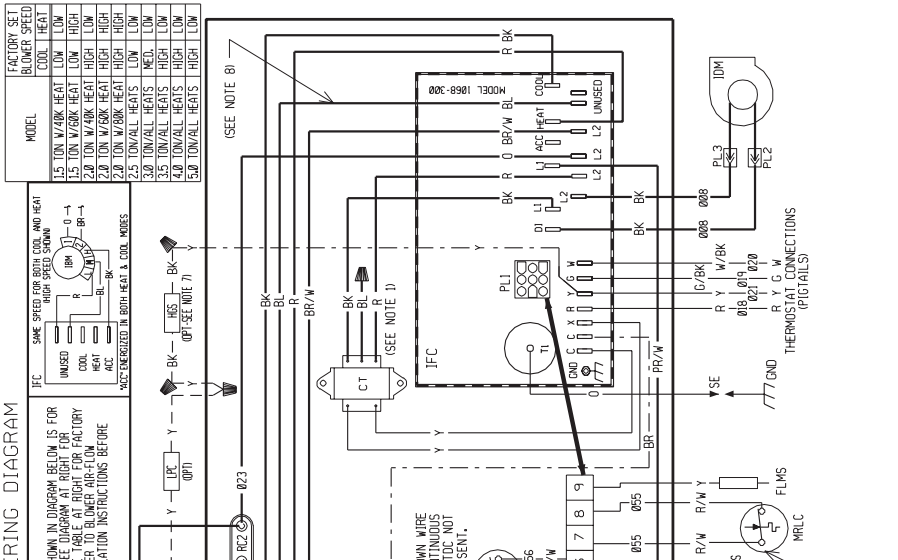
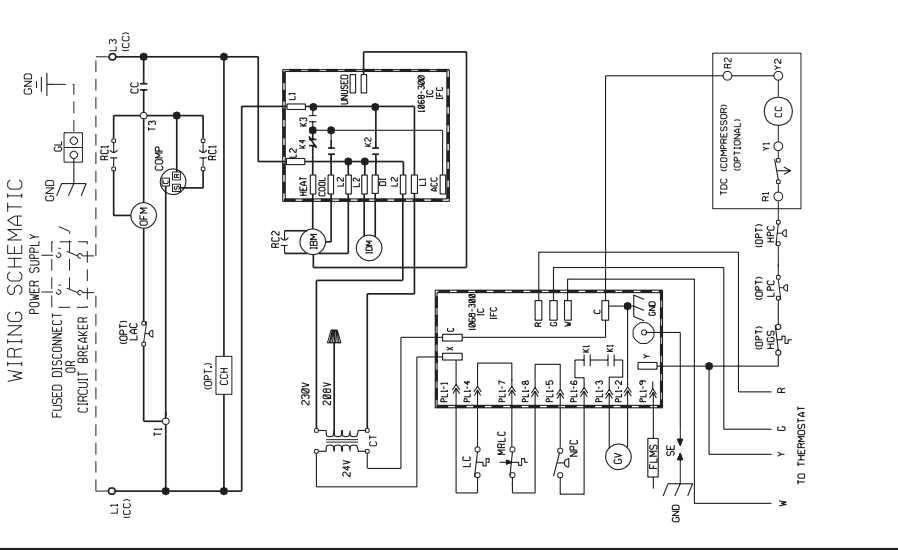
Fabricated from galvanized steel to adapt the New cabinet to the old style curb. All are furnished with a New gasket.



(1) SLOPE TYPE  
(2) FULL PERIMETER TYPE



# WIRING SCHEMATICS—TZGE- SERIES



### WIRE COLOR CODE

BK	BLACK
BR	BROWN
BL	BLUE
G	GREEN
GY	GRAY
O	ORANGE
PR	PURPLE
R	RED
W	WHITE
Y	YELLOW

### ELECTRICAL WIRING DIAGRAM

1.5 - 5.0 TON GAS/ELECTRIC  
W/INTEGRATED FURNACE CONTROL  
W/PSC BLOWER MOTOR  
208/230V, 1 - PHASE

### WIRING INFORMATION

LINE VOLTAGE  
-FACTORY STANDARD  
-FACTORY OPTION  
-FIELD INSTALLED

LOW VOLTAGE  
-FACTORY STANDARD  
-FACTORY OPTION  
-FIELD INSTALLED

REPLACEMENT WIRE  
-MUST BE THE SAME SIZE AND TYPE OF INSULATION AS ORIGINAL (105 C° MIN.)  
-CABINET MUST BE PERMANENTLY GROUNDED AND CONFORM TO I.E.C., N.E.C., C.E.C. AND LOCAL CODES AS APPLICABLE.

### NOTES:

1. MAIN UNIT TRANSFORMER PRIMARY LEADS: 60 HZ. BLUE-208 V. BLACK-230 V. INTERCHANGE BLACK & BLUE LEADS FOR 208/230V. MOTORS & COMPRESSOR THERMALLY PROTECTED. CONNECTORS SUITABLE FOR USE WITH COPPER CONDUCTORS ONLY.
2. CONNECT FIELD WIRING IN GROUNDED RAIN-TIGHT CONDUIT. USE COPPER WIRE. MINIMUM SIZE AS ORIGINAL. (SEE I.E.C. & N.E.C. CODES.)
3. A CLASS 2 TRANSFORMER 24-VOLT, 50/60 HERTZ SUPPLIED.
4. REPLACEMENT FUSES MUST BE SAME TYPE & SIZE AS ORIGINAL TOP OF COPELAND ZR\*\*K1 COMPRESSOR ONLY.
5. COPPRESSORS ONLY.
6. MED. BLOWER SPEED AND BLUE MOTOR LEAD DN 2.5 - 4.0 TON MODELS ONLY.

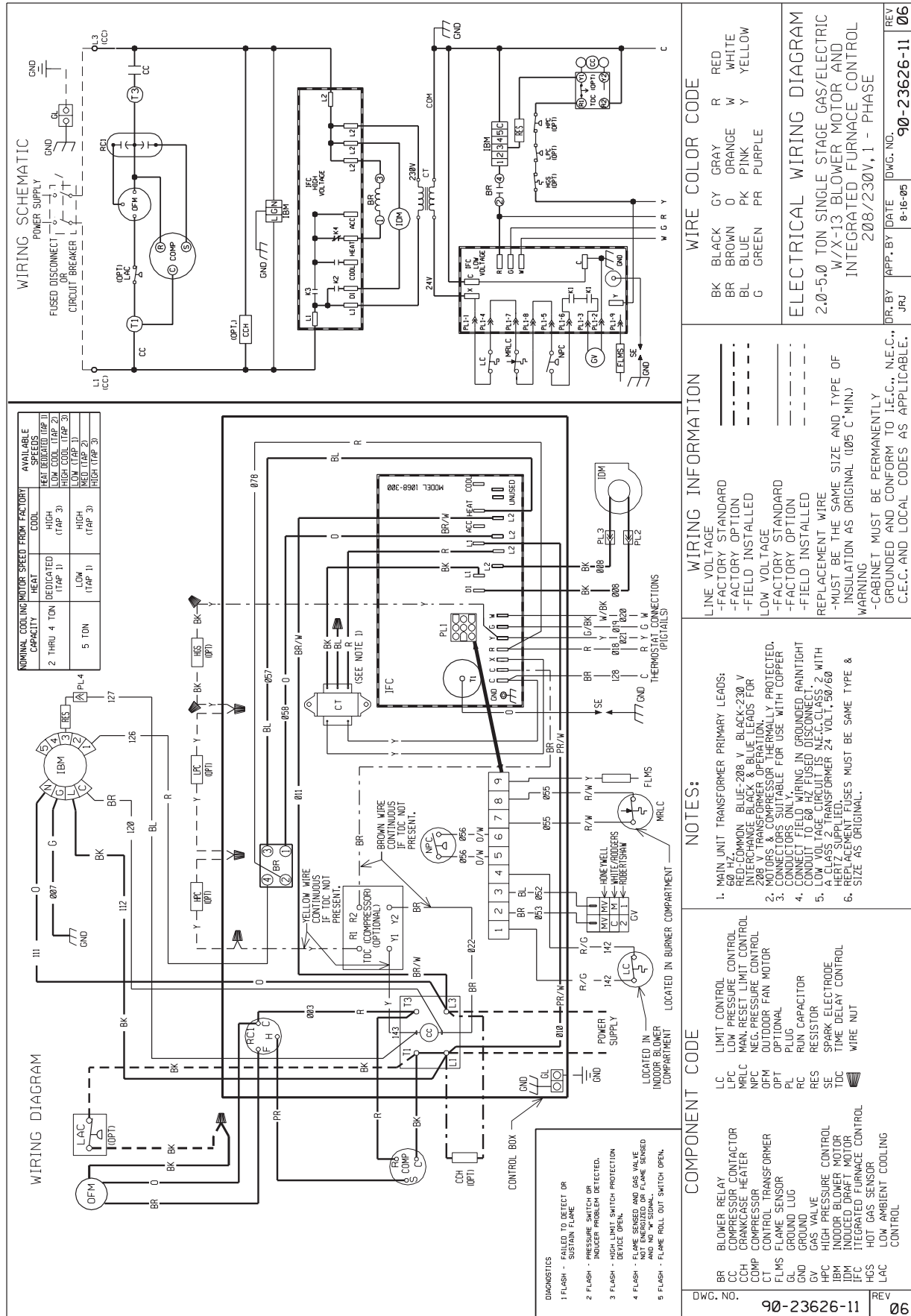
### COMPONENT CODE

LPC	LOW PRESSURE CONTROL
MRLC	MAN. RESET LIMIT CONTROL
NPC	NEG. PRESSURE CONTROL
ODFM	OUTDOOR FAN MOTOR
OPT	OPTIONAL
PL	GROUND LUG
RC	RUN CAPACITOR
GV	GAS VALVE
HPC	HIGH PRESSURE CONTROL
IBM	INDOOR BLOWER MOTOR
IDM	INDUCED DRAFT MOTOR
IFC	INTEGRATED FURNACE CONTROL
HGS	HOT GAS SENSOR
LAC	LOW AMBIENT COOLING CONTROL
LC	LIMIT CONTROL

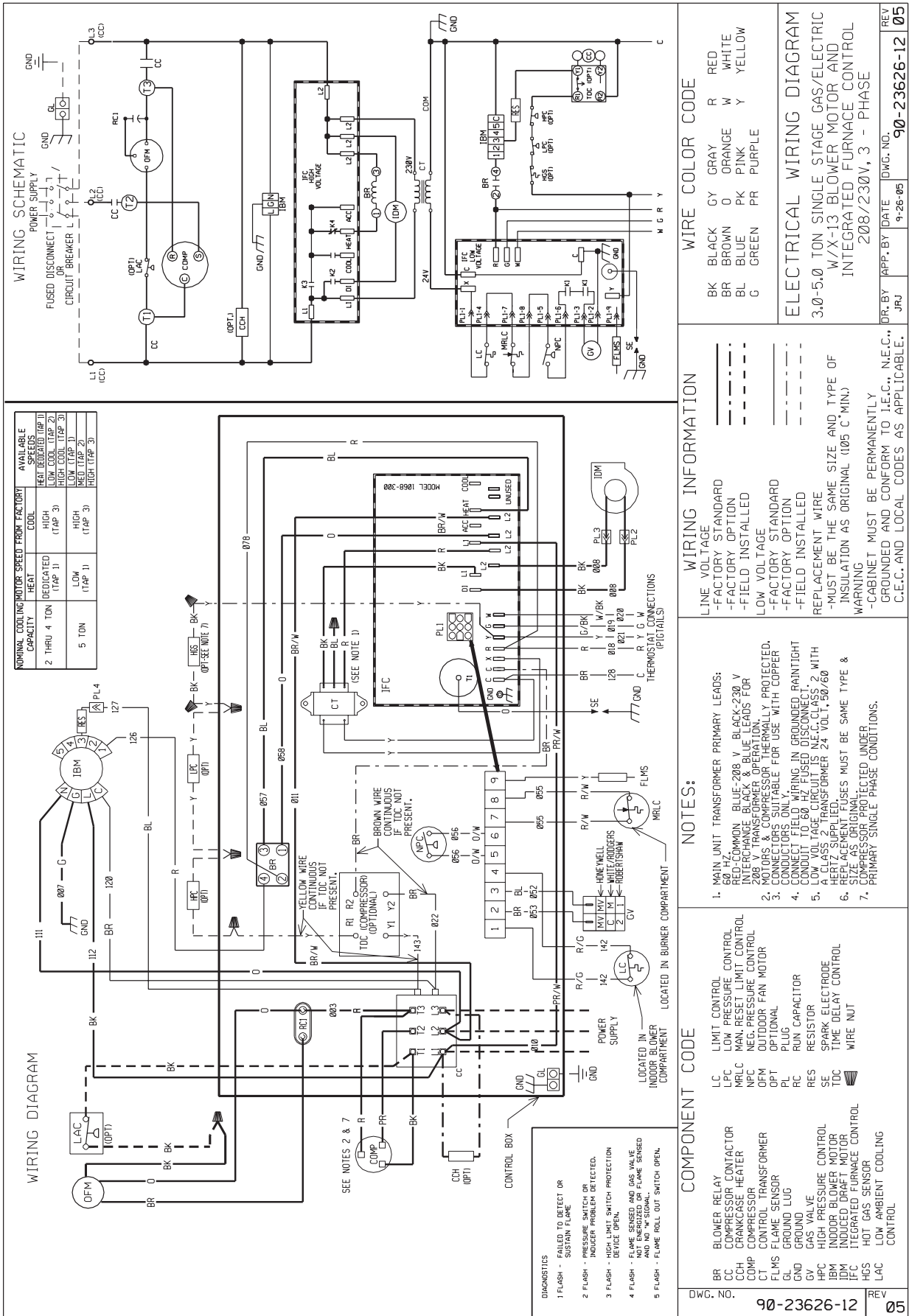
DWG. NO. 90-23626-04

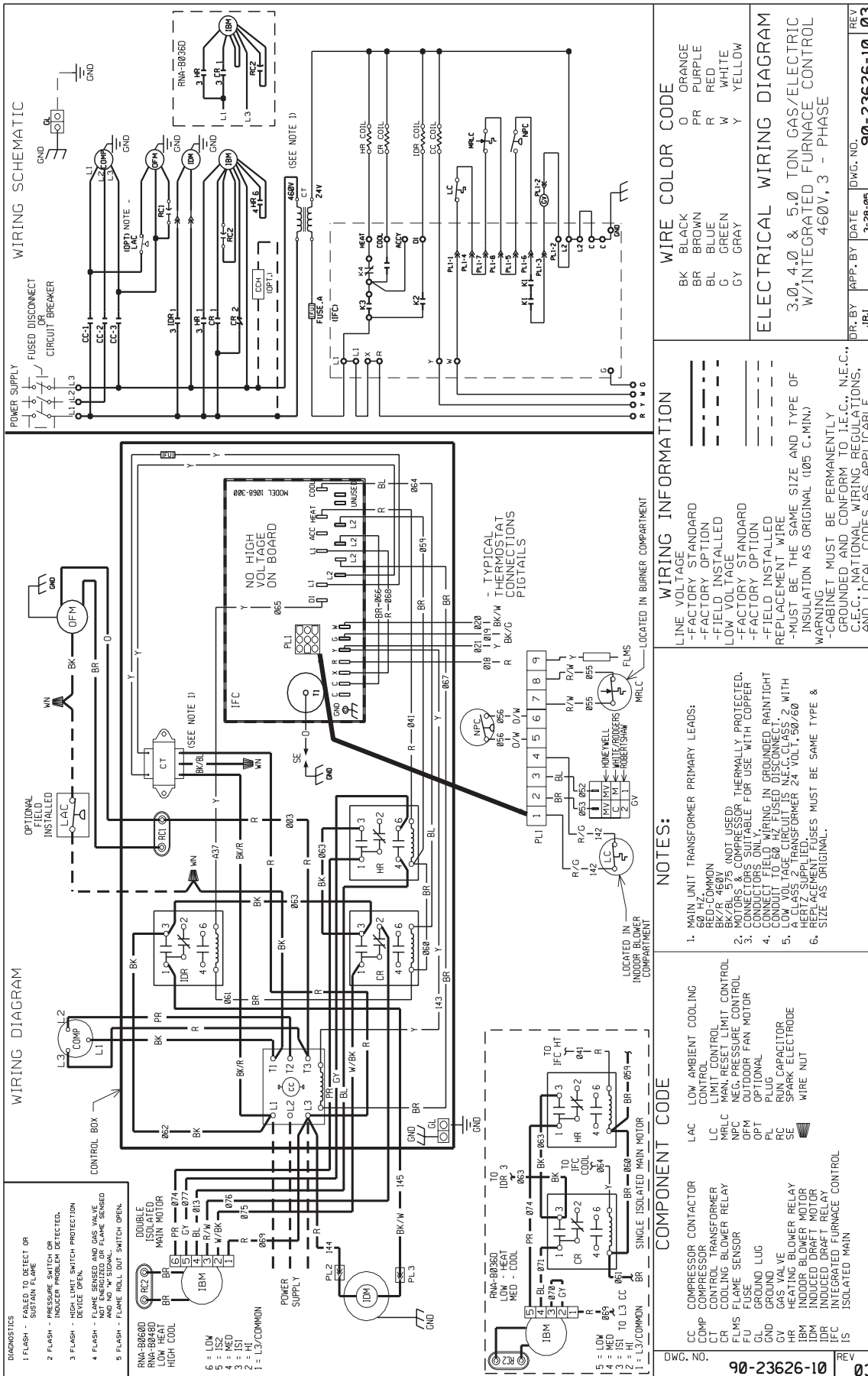
REV 08





# WIRING SCHEMATICS—TZGE- SERIES





**BEFORE PURCHASING THIS APPLIANCE, READ IMPORTANT ENERGY COST AND EFFICIENCY INFORMATION AVAILABLE FROM YOUR RETAILER.**

### **GENERAL TERMS OF LIMITED WARRANTY**

Thermal Zone® will furnish a replacement for any part of this product which fails in normal use and service within the applicable periods stated, in accordance with the terms of the limited warranty.

**Heat Exchanger**

Factory Standard .....Ten (10) Years  
Stainless Steel/1-Phase & 3-Phase models/  
Commercial Application .....Twenty (20) Years  
Stainless Steel/1-Phase models/  
Residential Application .....Limited Lifetime

**Condenser Coil and Evaporator Coil leaks**

caused by factory defects .....Five (5) Years  
Compressor .....Five (5) Years  
Any Other Part  
1-Phase Models .....Five (5) Years  
3-Phase Models .....One (1) Year

**For Complete Details of the Limited Warranty, Including Applicable Terms and Conditions, See Your Local Installer or Contact the Manufacturer for a Copy.**

**Before proceeding with installation, refer to installation instructions packaged with each model, as well as complying with all Federal, State, Provincial, and Local codes, regulations, and practices.**

*"In keeping with its policy of continuous progress and product improvement, the right is reserved to make changes without notice."*